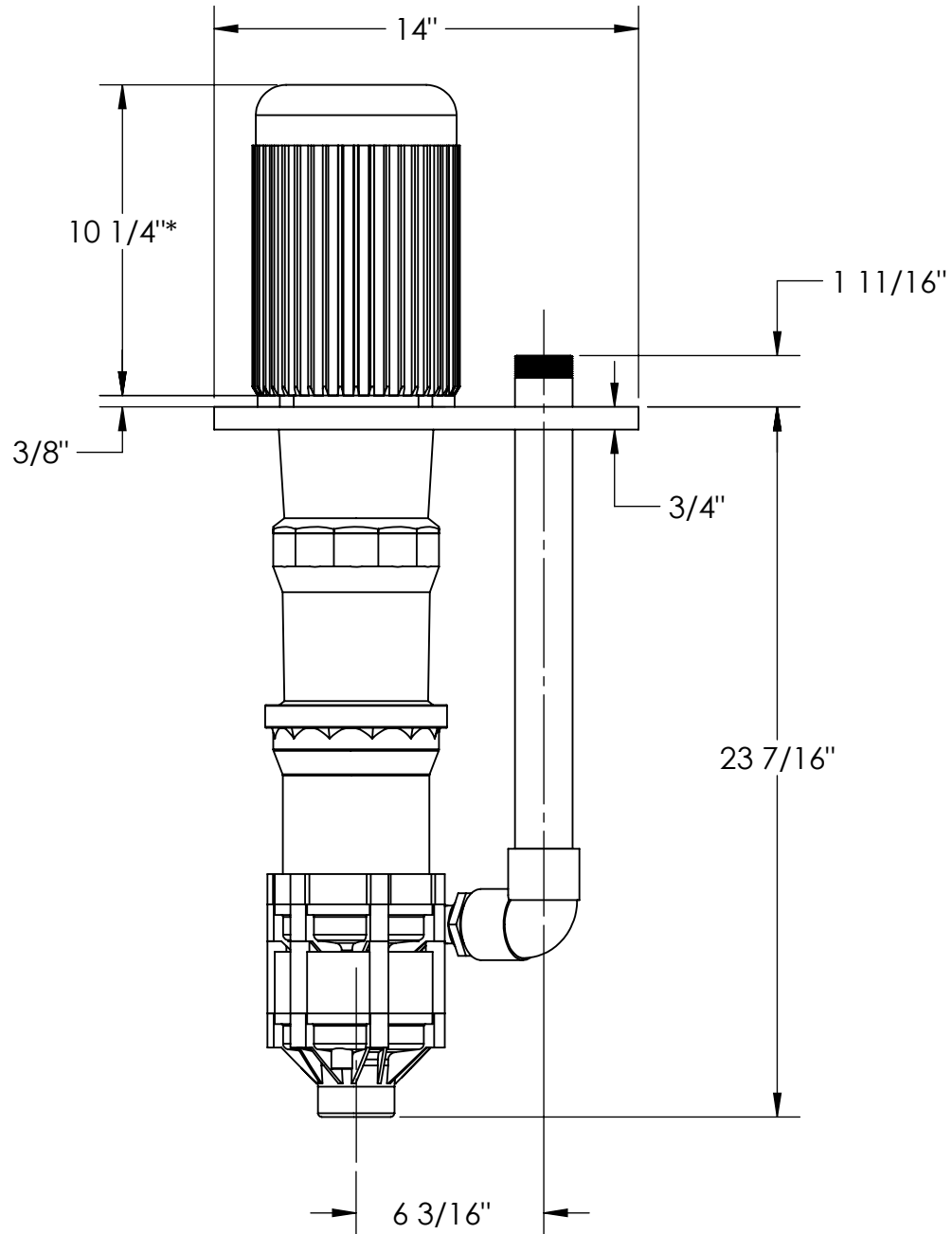




REVISIONS

REV	DESCRIPTION	DATE	APPR'D	TRACK



UNLESS OTHERWISE SPECIFIED		DISTRIBUTION BLOCK				 921 GREENGARDEN ROAD ERIE, PENNSYLVANIA 16501 PHONE: (814) 455-4478 FAX: (814) 455-8518		
DIMENSIONS ARE IN INCHES TOLERANCES ARE: .XXX ± .005 .XX ± .010 FRAC. ± 1/32 DEGREE ± 1° FINISH 125		DEPT	REC'D	DEPT	REC'D	PRODUCT: MSVKC		
		PUMP ASSM		INJ MOLD		TITLE: MSVKC 24" w/56C MTR		
		STILL ASSM		PURCH		SIZE: A	PART NUMBER: R102089	REV. 0
		WELD SHOP		SALES	X	SCALE: DNS	SHEET: 1 OF 1	CHECKED
SIGNATURES	DATE	MACH SHOP		ADV				
DRAWN:	XX/XX/XX	 THIRD ANGLE PROJECTION		CAD GENERATED DRAWING, DO NOT MANUALLY UPDATE				
ENGR:		DO NOT SCALE DRAWING						