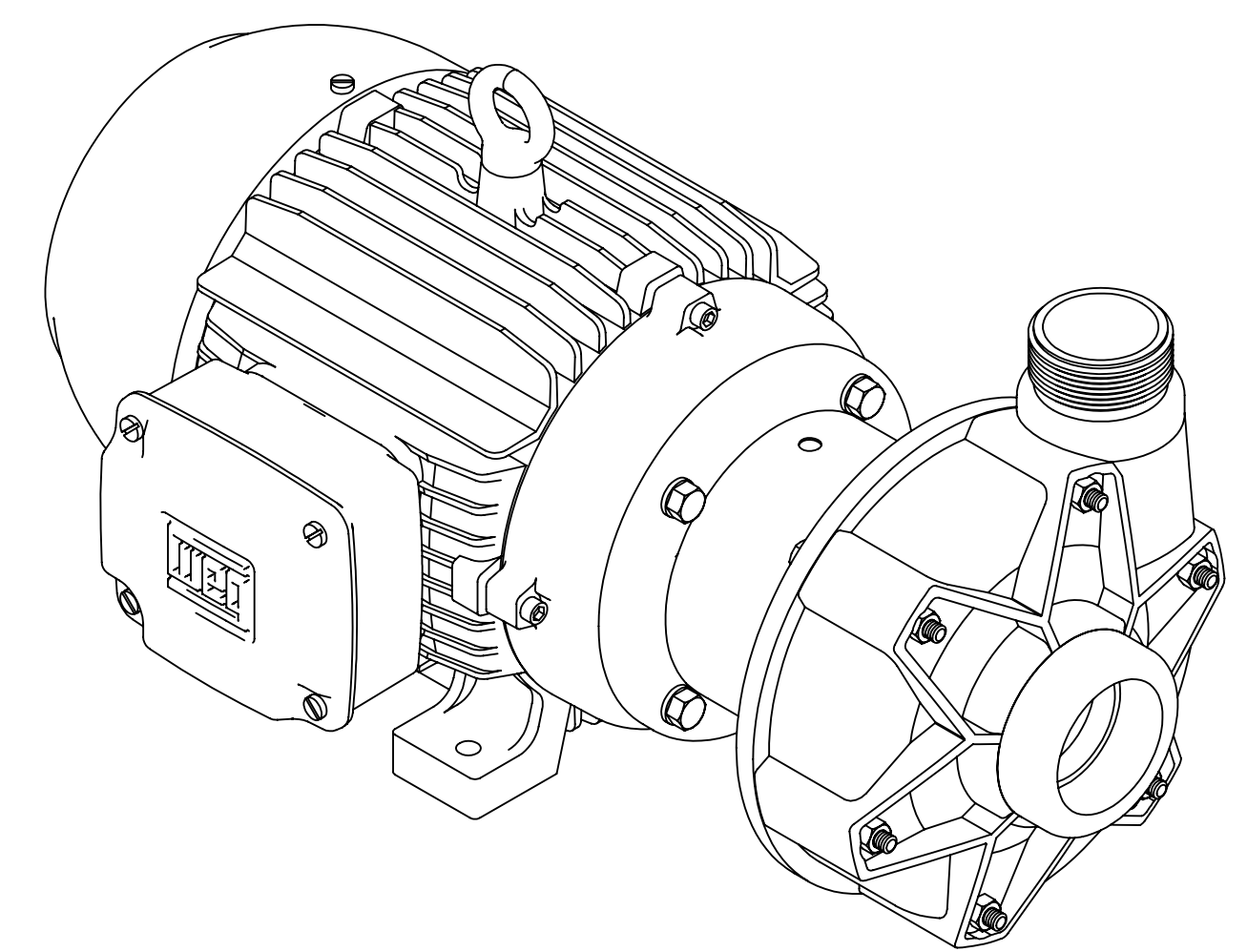
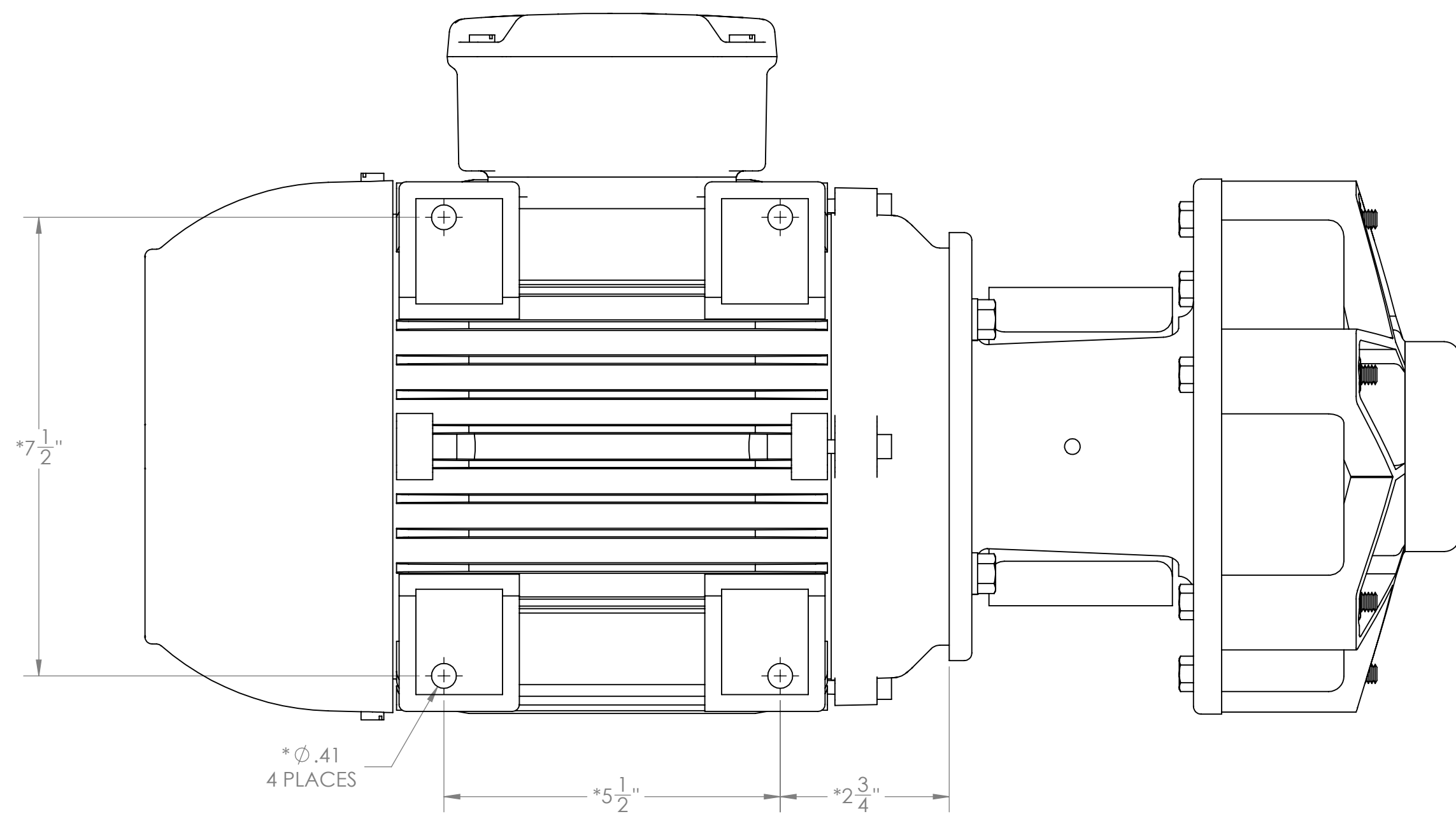
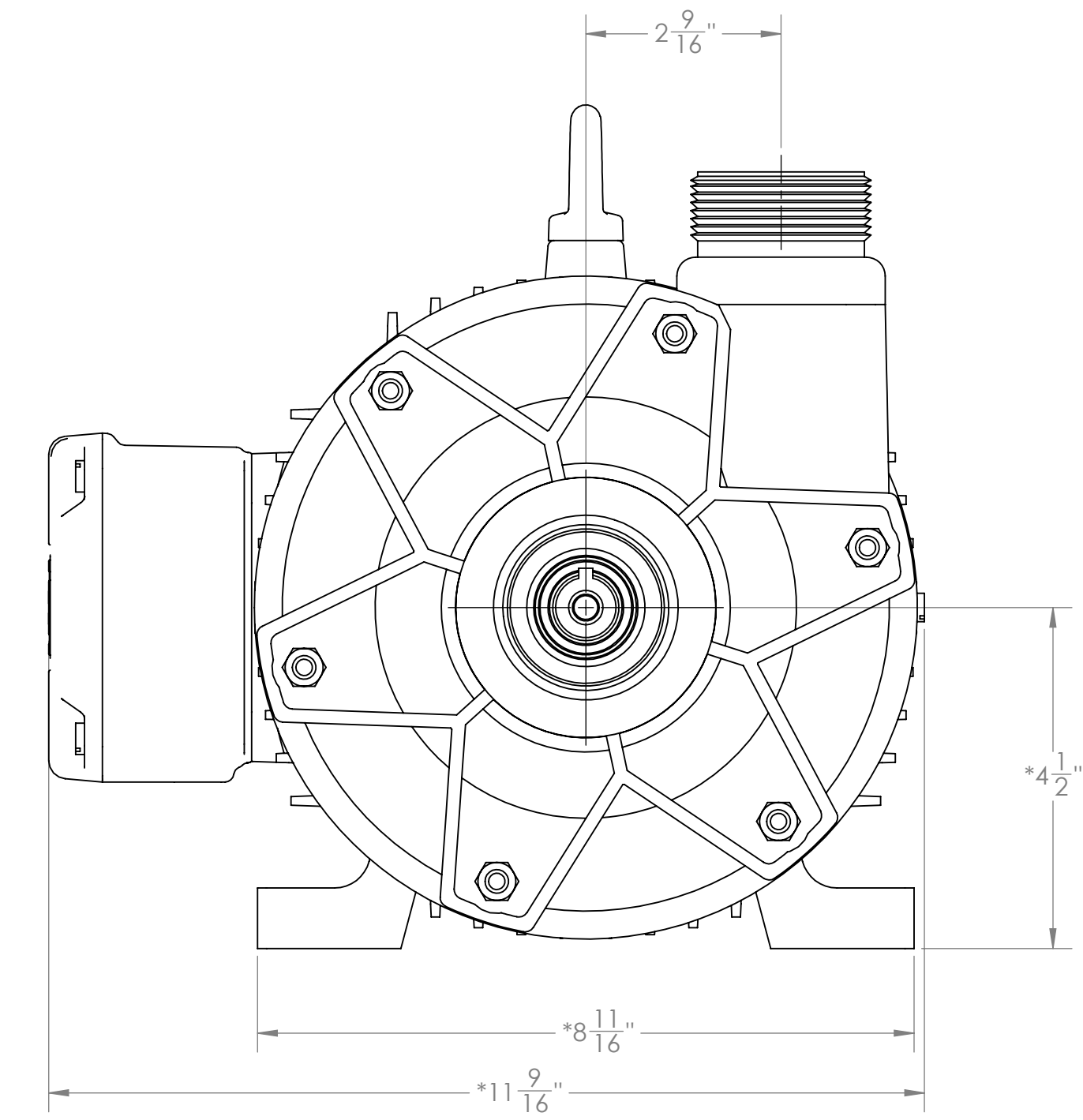
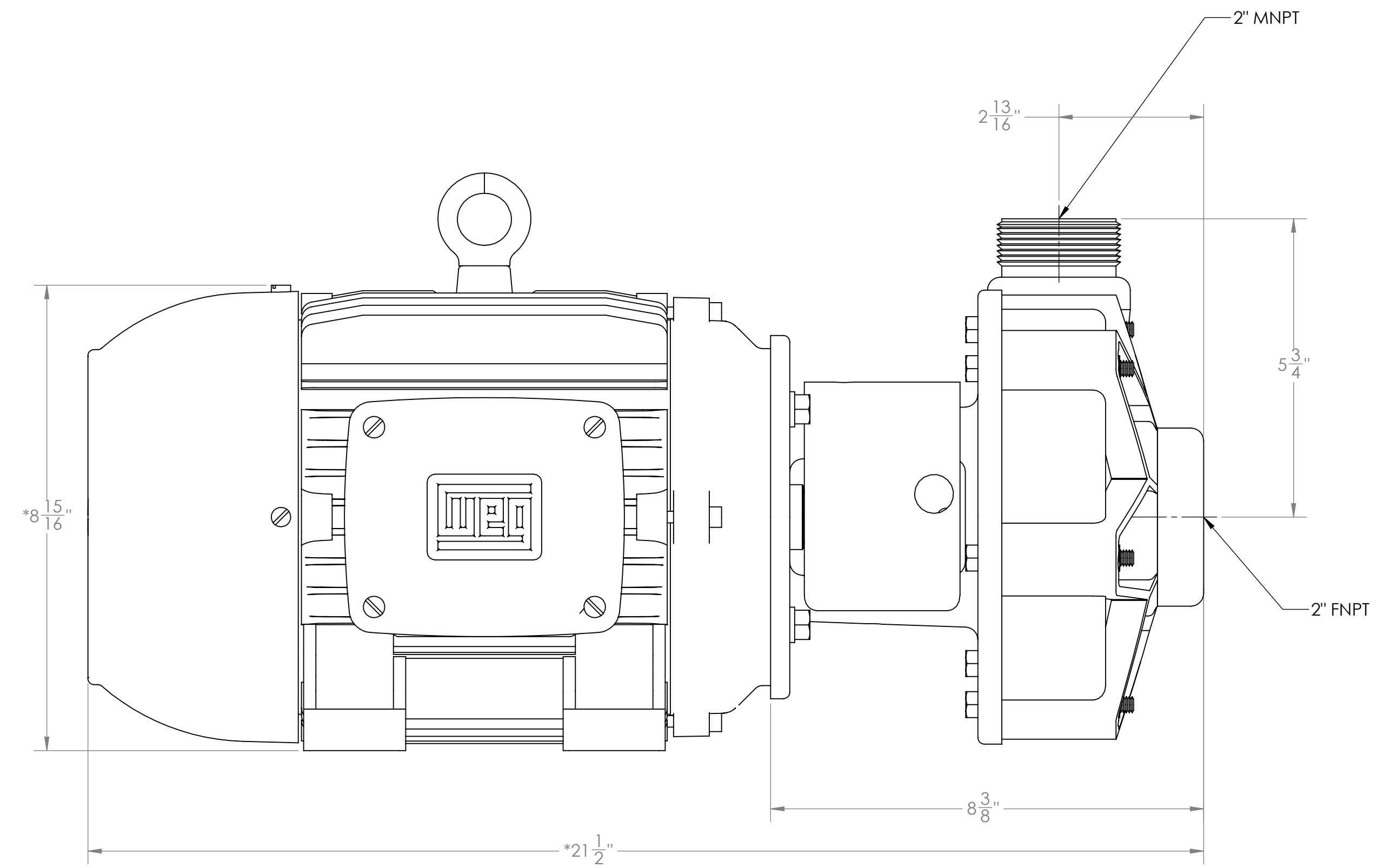



REVISIONS				
REV	DESCRIPTION	DATE	APPR'D	TRACK
1	UPDATED 184JM MODEL & CONVERTED TO SOLIDWORKS	7/29/21	MWI	



NOTE:
* DIMENSIONS MAY VARY BY MOTOR MANUFACTURER

UNLESS OTHERWISE SPECIFIED		DISTRIBUTION BLOCK		821 GREENGARDEN ROAD ERIE, PENNSYLVANIA 16501		 PHONE: (814) 455-4478 FAX: (814) 455-8518	
DIMENSIONS ARE IN INCHES	DEPT	RECD	DEPT	RECD	PRODUCT	GP22 WITH 184JM MOTOR	
TOLERANCES ARE:	PUMP ASSM		INJ MOLD		TITLE	OUTLINE DIMENSIONAL	
XXX ± .005	STILL ASSM		PURCH		SIZE	PART NUMBER	REV.
XX ± .010	WELD SHOP		SALES	X	SCALE	R100636	1
FRAC ± .102	MACH SHOP		ADV		PROJECTION	THIRD ANGLE	
DEGREE ± 1°					DO NOT SCALE DRAWING	CAD GENERATED DRAWING	DO NOT MANUALLY UPDATE
FINISH 125	SIGNATURES	DATE			SCALE: 1/2	SHEET 1 OF 1	CHECKED