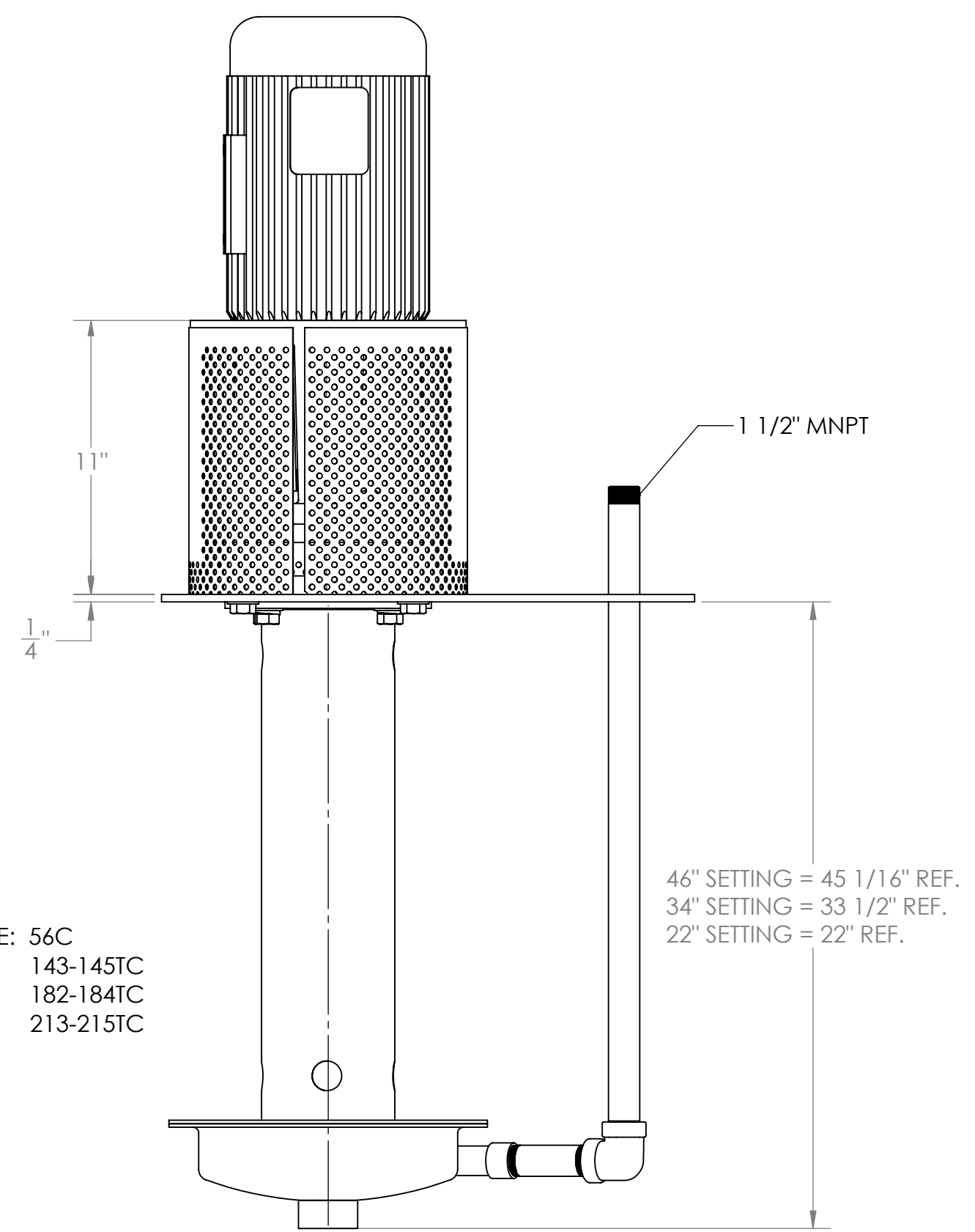
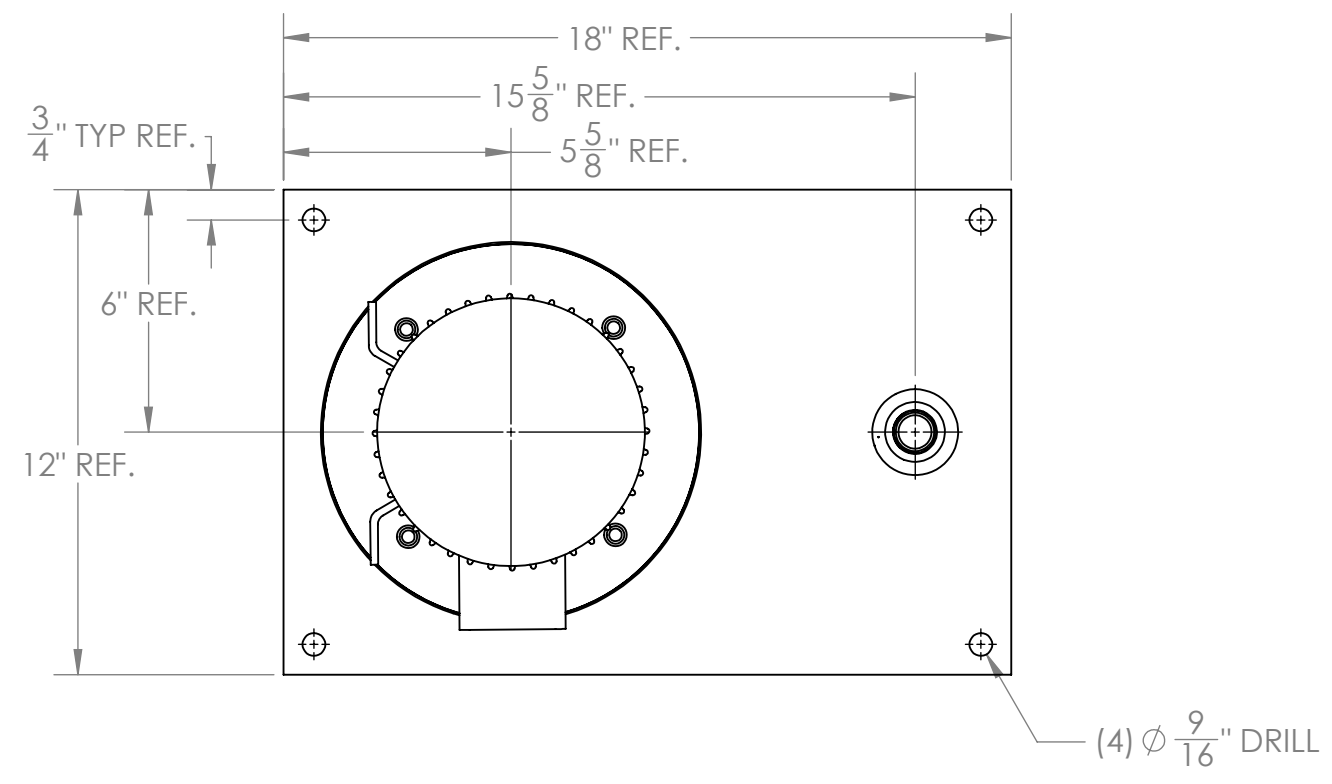



REVISIONS				
REV	DESCRIPTION	DATE	APPR'D	TRACK



AV8HJS

* ALL DIMENSIONS ARE FOR REFERENCE ONLY. *

NOTE:
MOTOR FRAMES AVAILABLE: 56C
143-145TC
182-184TC
213-215TC

UNLESS OTHERWISE SPECIFIED		DISTRIBUTION BLOCK				921 GREENGARDEN ROAD ERIE, PENNSYLVANIA 16501		 FINISH THOMPSON INC. PHONE: (814) 455-4478 FAX: (814) 455-8518	
DIMENSIONS ARE IN INCHES TOLERANCES ARE: XXX ± .005 XX ± .010 FRAC. ± 1/32 DEGREE ± 1° FINISH 125		DEPT	REC'D	DEPT	REC'D	PRODUCT: AV8HJS			
SIGNATURES		DATE	MACH SHOP		SALES	ADV	TITLE: AV8HJS OUTLINE DIMENSIONAL		
DRAWN: MWI	04-09-2021	THIRD ANGLE PROJECTION		SIZE: C		PART NUMBER: R102361		REV. 0	
ENGR:		CAD GENERATED DRAWING, DO NOT MANUALLY UPDATE		SCALE: X	SHEET 1 OF 1	CHECKED			
DO NOT SCALE DRAWING									