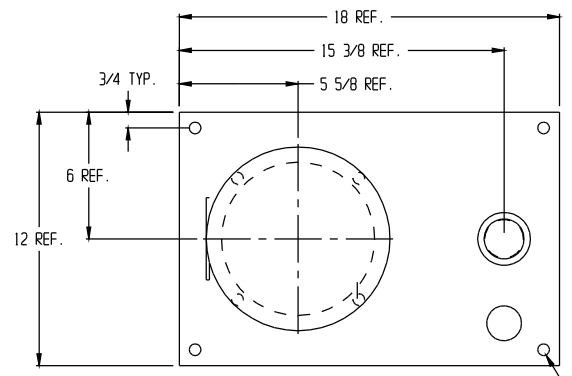
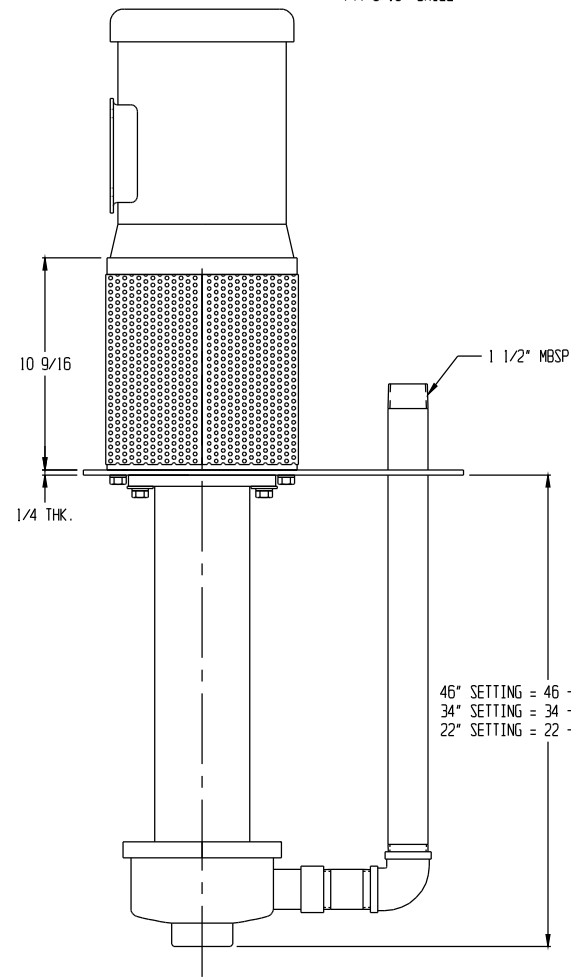


REVISIONS			
REV.	DESCRIPTION	DATE	APPROVED



(4) 9/16" DRILL



46" SETTING = 46 - 9/16" REF.  
 34" SETTING = 34 - 9/16" REF.  
 22" SETTING = 22 - 9/16" REF.

**AV8SJS**

\* ALL DIMENSIONS ARE FOR REFERENCE ONLY.\*

NOTE:  
 MOTOR FRAMES AVAILABLE: 56C  
 132 IEC  
 182/184TC  
 213 TC

UNLESS OTHERWISE SPECIFIED		DISTRIBUTION BLOCK			821 OREGON GARDEN ROAD ERIE, PENNSYLVANIA 16501		FINNISH THOMPSON INC. PHONE: (814) 455-4478 FAX: (814) 455-8518	
DIMENSIONS ARE IN INCHES		DEPT	REC'D	DEPT	REC'D	PRODUCT: AV8SJS		
XXX	+/- .005	PUMP ASSM		ELEC		TITLE: AV8SJS OUTLINE DIMENSIONAL		
XX	+/- .010	STILL ASSM		PURCH		SIZE: C	PART NUMBER: R100419	REV. 0
FRAC	+/- 1/32	WELD SHOP		SALES		SCALE: NTS	SHEET: 1 OF 1	CHKD:
DEGREE	+/- 1°	MACH SHOP		INJ MOLD		THIRD ANGLE PROJECTION		
✓	125							
SIGNATURES	DATE							
DRAWN: OJB	11/4/04							
ENGR:								
ISSUED:								