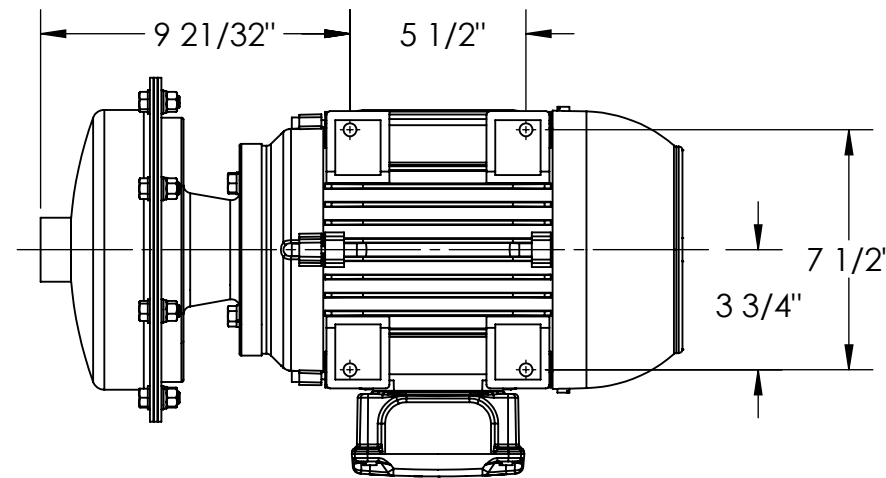
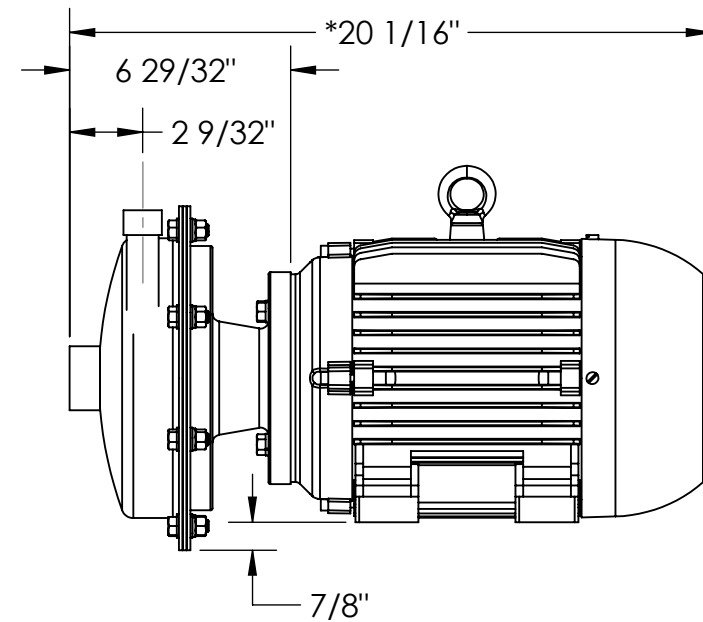
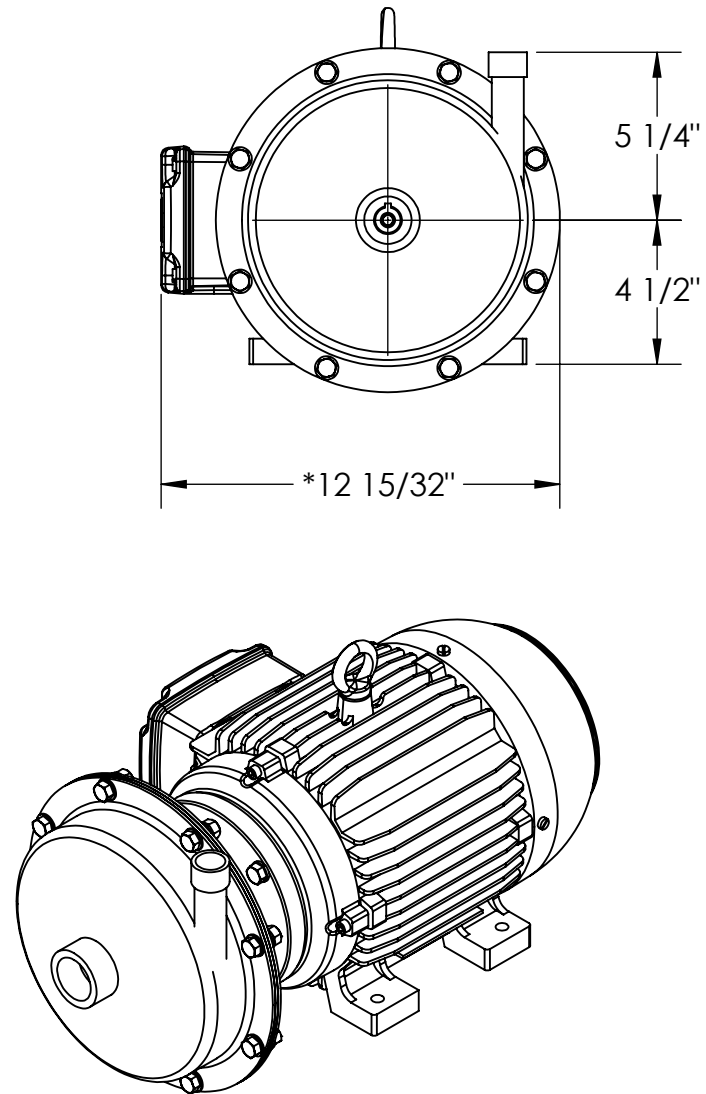




REVISIONS

REV	DESCRIPTION	DATE	APPR'D	TRACK



NOTE:

1. ALL DIMENSIONS ARE FOR REFERENCE USE ONLY
2. \*DIMENSIONS MAY VARY DEPENDING ON MOTOR MANUFACTURE

UNLESS OTHERWISE SPECIFIED		DISTRIBUTION BLOCK				921 GREENGARDEN ROAD ERIE, PENNSYLVANIA 16501		 FINISH THOMPSON INC.		PHONE: (814) 455-4478 FAX: (814) 455-8518	
DIMENSIONS ARE IN INCHES TOLERANCES ARE: .XXX ± .005 .XX ± .010 FRAC. ± 1/32 DEGREE ± 1° FINISH 125		DEPT	REC'D	DEPT	REC'D	PRODUCT: <b>ATLAS PUMPS</b>					
SIGNATURES		DATE	MACH SHOP	ADV		TITLE: <b>AC8H W/184JM MTR</b>					
DRAWN: TDS		3/18/15				SIZE: <b>B</b>	PART NUMBER: <b>R101727</b>			REV. <b>0</b>	
ENGR:						SCALE: X	SHEET 1 OF 1		CHECKED		
DO NOT SCALE DRAWING		 THIRD ANGLE PROJECTION CAD GENERATED DRAWING, DO NOT MANUALLY UPDATE									