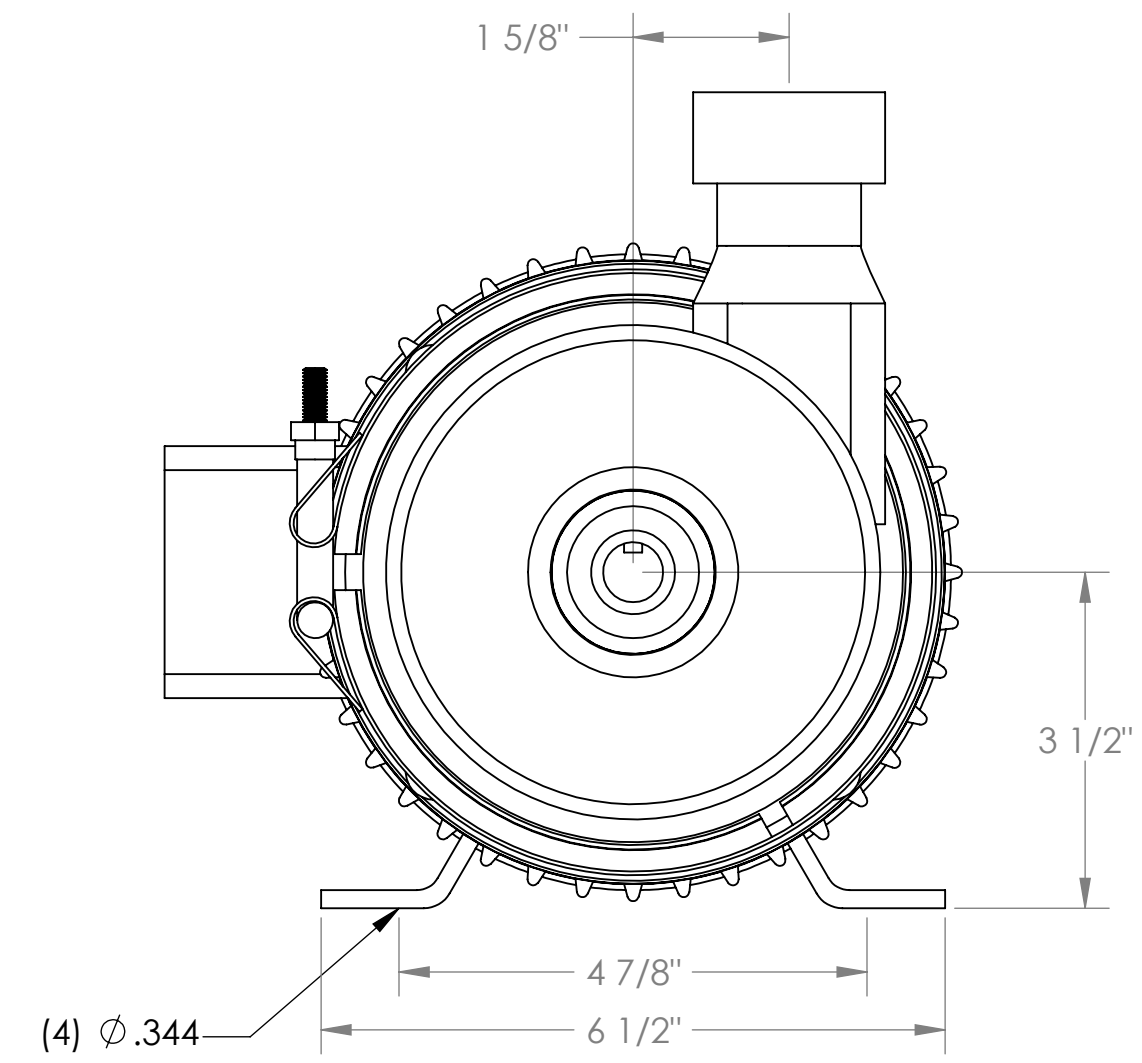
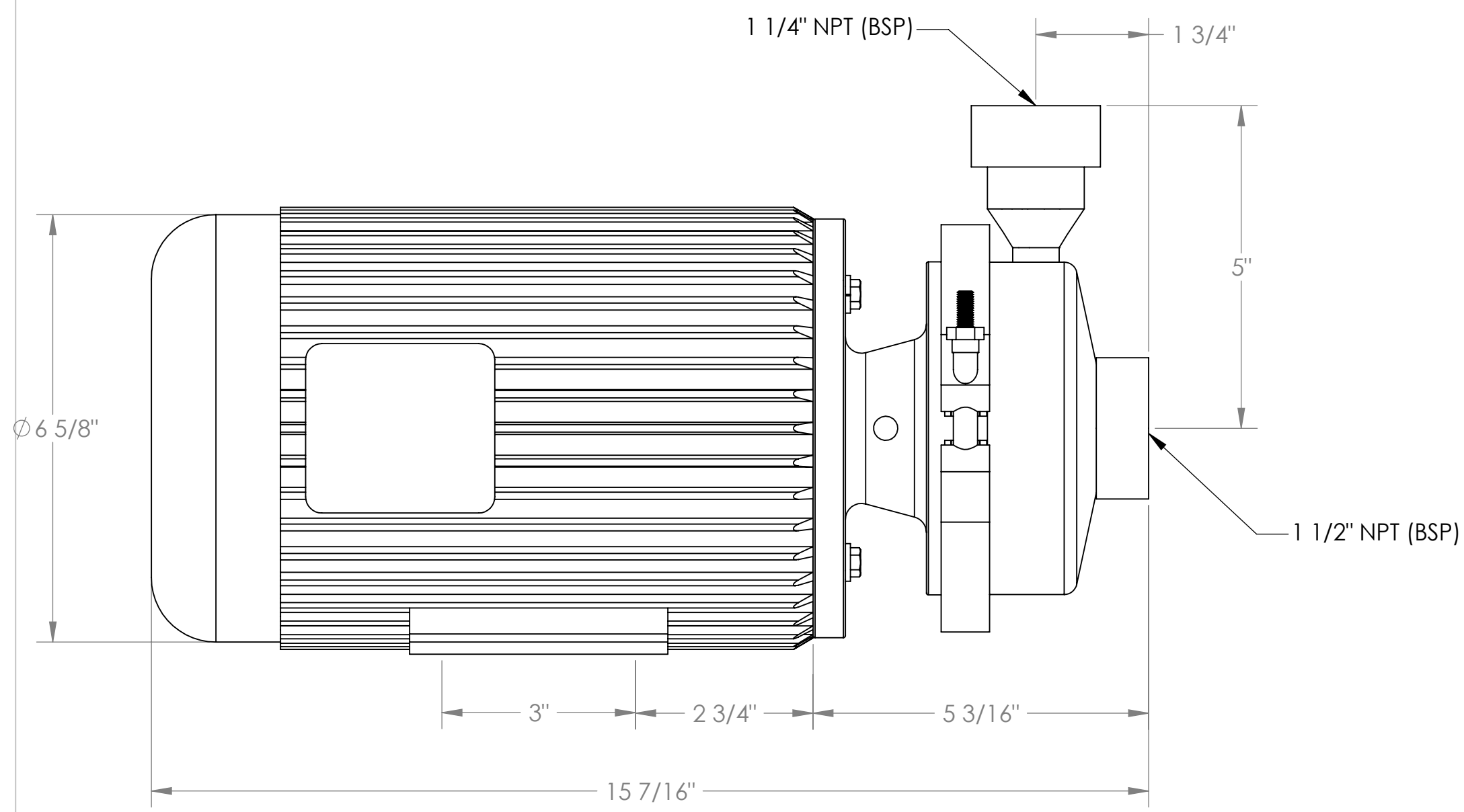
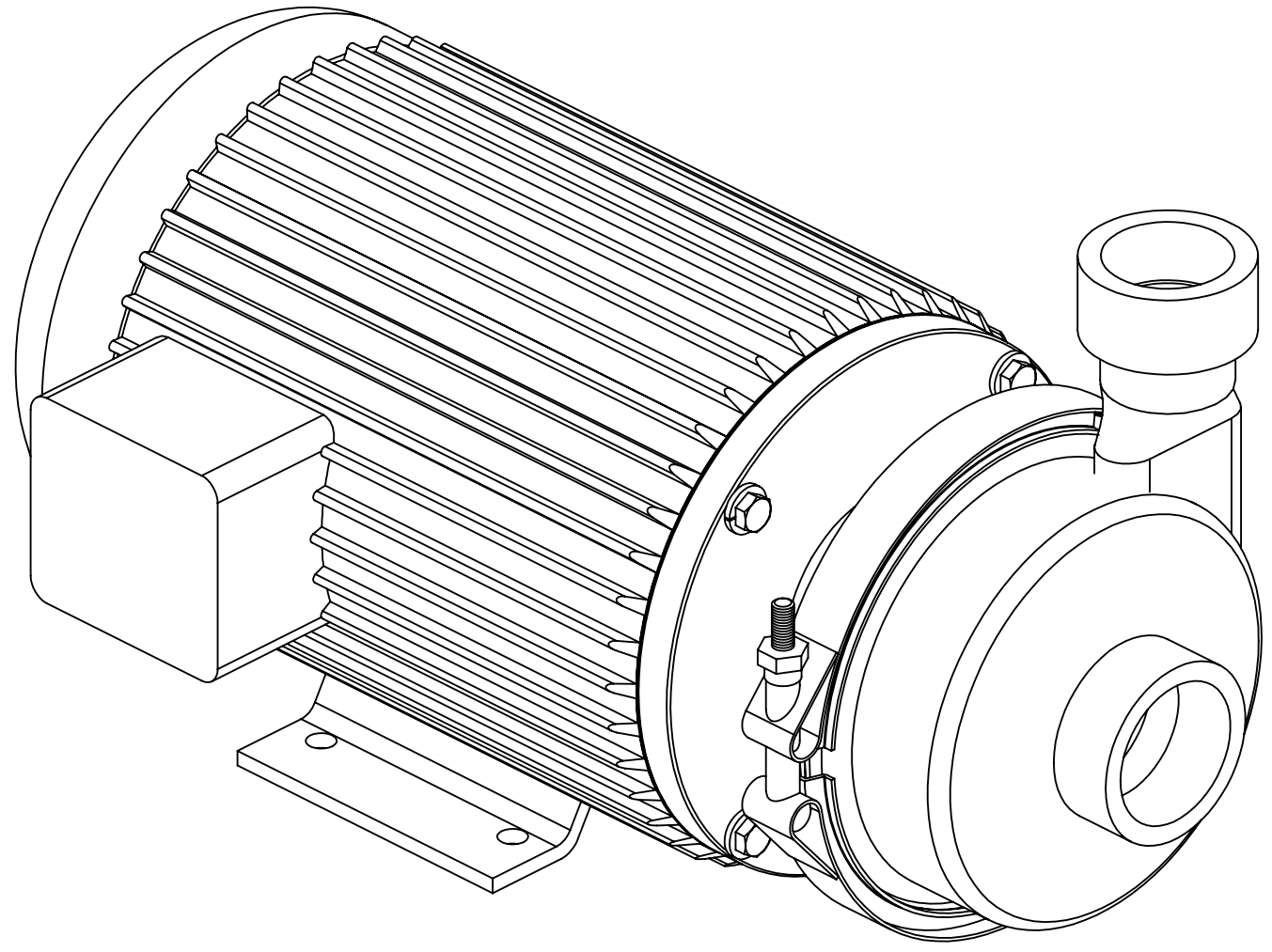


REVISIONS				
REV	DESCRIPTION	DATE	APPR'D	TRACK
1	CORRECTED DRAWING	3/12/02	LKS	



UNLESS OTHERWISE SPECIFIED		DISTRIBUTION BLOCK		921 GREENGARDEN ROAD ERIE, PENNSYLVANIA 16501		FINISH THOMPSON INC. PHONE: (814) 455-4478 FAX: (814) 455-8518	
DIMENSIONS ARE IN INCHES TOLERANCES ARE: XXX ± .005 XX ± .010 FRAC. ± 1/32 DEGREE ± 1° FINISH 125		DEPT	REC'D	DEPT	REC'D	PRODUCT: AC5STS W/56C 1 1/2" X 1 1/4"	
DRAWN: LKS 03-12-02		PUMP ASSM		INJ MOLD		TITLE: OUTLINE DIMENSIONAL	
ENGR:		STILL ASSM		PURCH		SIZE: C	PART NUMBER: R100241
DO NOT SCALE DRAWING		WELD SHOP		SALES	X	SCALE: 1/2	SHEET 1 OF 1
		MACH SHOP		ADV		CHECKED	REV. 1
		THIRD ANGLE PROJECTION		CAD GENERATED DRAWING, DO NOT MANUALLY UPDATE			