

# MV Series Motors Operation & Parts Manual

## Models M3V, M5V, M5V-US

For use with M3V s/n 101057 & below, M3V-UK s/n 103013 & below, M5V & M5V-US s/n 102972 & below.



**FINISH THOMPSON INC.**



**FINISH THOMPSON INC.**  
921 Greengarden Road • Erie, PA 16501-1591 U.S.A.  
Ph 814-455-4478 • Fax 814-455-8518  
Email [fti@finishthompson.com](mailto:fti@finishthompson.com) • [www.finishthompson.com](http://www.finishthompson.com)

## EU Declaration of Conformity



Finish Thompson Inc. hereby declares that the following electrical equipment fully complies with the applicable health and safety requirements as specified by the EU directives listed. The product may not be taken into service until it has been established that the driven Drum and Container Pump complies with the provisions of all relevant EU Directives provided pumps manufactured by Finish Thompson are used.

This declaration is valid provided that the devices are fully assembled and no modifications are made to these devices.

### Type of Device:

Electric Motors for Driving Drum  
and Container Pumps

### Models:

M3V-UK    M5    M5T    M5V    M5X    M13  
M59P    M59H    S2    S3

### EC Directives (and their applicable amendments):

Low Voltage (2014/35/EU)  
Electromagnetic Compatibility (2014/30/EU)

### Specific standards applied:

EN 60335-1    EN60335-2-41  
EN 55014-1    EN 55014-2  
EN 60529

Signed,

---

Casey D. Bowes  
CEO and President

20 April 2016

Person(s) Authorized to Compile Technical File: Finish Thompson GmbH  
Otto-Hahn-Strasse 16  
Maintal, D-63477 DEU  
Telephone: 49 (0)6181-90878-0

## Introduction

This manual pertains to drum pump motors MV Series. Finish Thompson, Inc. thanks you for choosing our products. We believe the use of our products will be fully satisfactory. When properly installed and operated, your Finish Thompson motor and pump will provide long, trouble-free service; therefore please read this manual carefully before carrying out any operations on the pump-motor unit. Any use other than that described herein is considered incorrect and; consequently, Finish Thompson, Inc. shall not be held responsible for any damages to people or things. In case of doubt or enquiries, please apply to our Technical Service department directly at the following address:

Finish Thompson, Inc.  
921 Greengarden Rd.  
Erie, PA 16501 U.S.A.  
Tel. 1-814-455-4478  
Fax 1-814-455-8518  
[www.finishthompson.com](http://www.finishthompson.com)  
[fti@finishthompson.com](mailto:fti@finishthompson.com)

## Index

Introduction . . . . .	1
General Terms & Conditions, Warranty . . . . .	2
Safety . . . . .	3
Installation . . . . .	4
Operation, Specifications & Identification . . . . .	5
Parts . . . . .	6

## **WARRANTY, GENERAL TERMS & CONDITIONS**

1. The following terms and condition apply to the sale of machinery, components and related services and products, of Finish Thompson Inc. (hereinafter “the products”).
2. Finish Thompson Inc. (the manufacturer) warrants only that:
  - a.) its products are free of defects in material, design and workmanship at the time of original purchase
  - b.) its products will function in accordance with Finish Thompson Inc. operation manuals; Finish Thompson Inc. does not guarantee that the product will meet the precise needs of the Customer, except for those purposes set out in any invitation to render documents or other documents specifically made available to Finish Thompson, Inc. before entering into this agreement
  - c.) high quality materials are used in the construction of the pumps and that machining and assembly are carried out to the highest standards. Except as expressly stated above, Finish Thompson, Inc. makes no warranties, express or implied, concerning the products, including all warranties of fitness for a particular purpose.
3. This warranty shall not be applicable in circumstances other than defects in material, design, and workmanship. In particular, this warranty shall not cover the following:
  - a.) Periodic checks, maintenance, repair and replacement of parts due to normal wear and tear;
  - b.) Damage to the product resulting from:
    - i. tampering with, abuse or misuse, including but not limited to failure to use the product for its normal purposes as stated at the time of purchase or in accordance with Finish Thompson, Inc. instructions for use and maintenance of the product, or the installation or improper ventilation or use of the product in a manner inconsistent with the technical or safety standard in force
    - ii. repairs performed by non-authorized service workshop, or opening of the unit by nonauthorized personnel, or use of non genuine Finish Thompson, Inc. parts
    - iii. accidents, acts of God or any cause beyond the control of Finish Thompson, Inc., including but not limited to lightning, water, fire, earthquake, and public disturbances, etc.
4. This warranty shall cover the replacement or repair of any part(s), which is documented to be faulty due to construction or assembling, with a new or repaired part(s) free of charges delivered by Finish Thompson, Inc. Part(s) subjected to normal tear and wear shall not be covered by the warranty. Finish Thompson, Inc. shall decide as to whether the defective or faulty part shall be replaced or repaired. Transportation charge is prepaid to Finish Thompson.
5. The warranty of the products shall be valid for a period of 12 months from the date of delivery, under the condition that notice of the alleged defect to the product(s) or part(s) thereof be given to Finish Thompson Inc. in writing within the term of 8 days from the discovery.
6. Repair or replacement under the terms of the warranty shall not give a right to an extension to, or a new commencement of, the period of warranty. Repair or replacement under the terms of this warranty may be fulfilled with functionally equivalent, reconditioned units. Finish Thompson Inc. qualified personnel shall be solely entitled to carry out repair or replacement of faulty parts after careful examination of the motor. Faulty parts or components when replaced by Finish Thompson Inc. will become the property of Finish Thompson Inc. If this warranty does not apply, the purchaser shall bear all cost for labor, material and transportation.
7. Finish Thompson Inc. will not be liable on any claim, whether in contract, tort, or otherwise, for any indirect, special, incidental, or consequential damages, caused to the customer or to third parties, including loss of profits, process down time, transportation costs, costs associated with replacement or substitution products, labor costs, installation or removal costs. In any and all events, manufacturer’s liability shall not exceed the purchase price of the product and/or accessories.
8. Return Policy. Should you have any problems with this product, please contact the distributor in your area. The distributor will determine if a return to the factory is necessary and will contact the factory for a Return Authorization Number. Otherwise, contact our Technical Service Hotline (1-800-888-3743) or email [techservice@finishthompson.com](mailto:techservice@finishthompson.com) if you have any questions regarding product operation or repair.

# SAFETY

## 1. Introduction

This manual contains all the information needed for the correct installation, use and maintenance of your new Finish Thompson motor. It should be read and understood by all the personnel involved in installation, operating and servicing of the pump before it is started.

## 2. Operator Qualification and Training

The personnel in charge of the installation, operation and maintenance of the pump unit we produce must be qualified and able to perform the operations described in this manual. Finish Thompson Inc. shall not be held responsible for the training level of personnel and for the fact that they are not fully aware of the contents of this manual.

## 3. Safety Instructions



**FOR YOUR OWN SAFETY:**

**BEFORE UNDERTAKING ANY SERVICE OPERATION ON YOUR MOTOR OR PUMP, PLEASE MAKE SURE TO WEAR THE PROPER PROTECTIVE GEAR.**



**GENERAL DANGER**

**NEVER** use a plastic pump or an open, splash-proof, TEFC or non-ATEX motor when pumping or mixing flammable or combustible material.

**ALWAYS** use and store the pump and motor in an upright position.



**DANGER: POWER SUPPLY**

**NEVER** perform any maintenance operation on the motor while it is running or before it has been disconnected from the power supply. Avoid any possible hazard that might be caused by electric power.

**ALWAYS** check the electrical specifications on the motor data plate and make sure they correspond to the power supply to which it will be connected.

**ALWAYS** place motor in the OFF position prior to connecting the power source.

**NEVER** immerse the motor in liquid.

## 4. Noise Level

MV Motors in normal operating conditions produce a sound level equal or less than 79 dBA at a distance of three feet (~ one meter).

## 5. Modifications and Spare Parts

Any changes concerning the service of the motor as originally purchased, can be executed only after written approval from Finish Thompson Inc. It is recommended to use only genuine Finish Thompson Inc. spare parts and approved accessories. The use of non original spare parts or non approved accessories will void warranty and removes any responsibility on our behalf for any damage caused to people or things.

## INSTALLATION

1. Unpack motor from carton. Check for shipping damage. If damage is detected, save the packaging and notify the carrier immediately.
2. Loosen the nut on the motor housing by turning it counterclockwise (as viewed from the bottom of the motor). Note that the nut remains on the motor even when loosened. See figure 1.
3. Looking into the bottom/drive-end of the motor, align the coupling half with the coupling half orientation of the pump. Aligning the coupling half with two of the slots in the motor adapter sleeve is recommended to provide a reference point. See figures 2 & 3.
4. Make sure that the rubber coupling insert (provided with the pump) is properly installed in the pump coupling half.
5. With the motor coupling half properly aligned, firmly push the motor down over the pump head until fully engaged. See figure 3.
6. The motor isn't fully coupled unless the bottom of the motor and the top of the pump are completely flush. See figure 4.

**⚠ Warning:** Do not position the motor handle and cord over and in front of the pump discharge. Position it in line with the discharge or at 90° to the discharge.

7. Manually tighten the nut by turning it clockwise until secure. See figure 5.

**Note:** Do not use hand tools to tighten the nut as this may cause damage to the motor casing.



Figure 1



Figure 2



Figure 3






Figure 4



Figure 5

## OPERATION

The MV Series motors incorporate an ON/OFF switch as well as a Variable Speed Control. When operating the MV Series for the first time it is recommended to turn down the speed control (Counter Clockwise) to the lowest setting. Make sure the discharge hose is properly secured. Turn on the motor with the ON/OFF switch & adjust the speed control to the desired flow rate. Both of these operations can be done with the same hand being used to support the pump utilizing the thumb. Keep in mind that flow rates will vary depending upon fluid viscosity & specific gravity. It may be necessary to operate the pump at a lower speed for high viscosity fluids. Contact factory for troubleshooting tips.

<b>Motor Specifications</b>			
Model	<b>M3V</b>	<b>M5V</b>	<b>M5V-US</b>
Part Number	106655	106658	106657
Nominal Voltage	115v	230v	230v
Input Power HP / Watts	.8 / 650	.8 / 650	.8 / 650
Hertz	50 / 60		
RPM's (Variable Speed)	3,500-10,000		
Enclosure	3(WP) Splash-Proof	IP24 Splash-Proof	
Certificates or Approvals			
Max Viscosity cps / Density	500 / 1.8		
Duty Cycle	Continuous *		
Applicable Pump Models	PF / TB / TBP		

\*Contact Factory for brush life information.

## MOTOR IDENTIFICATION


(M3V Sample Label)



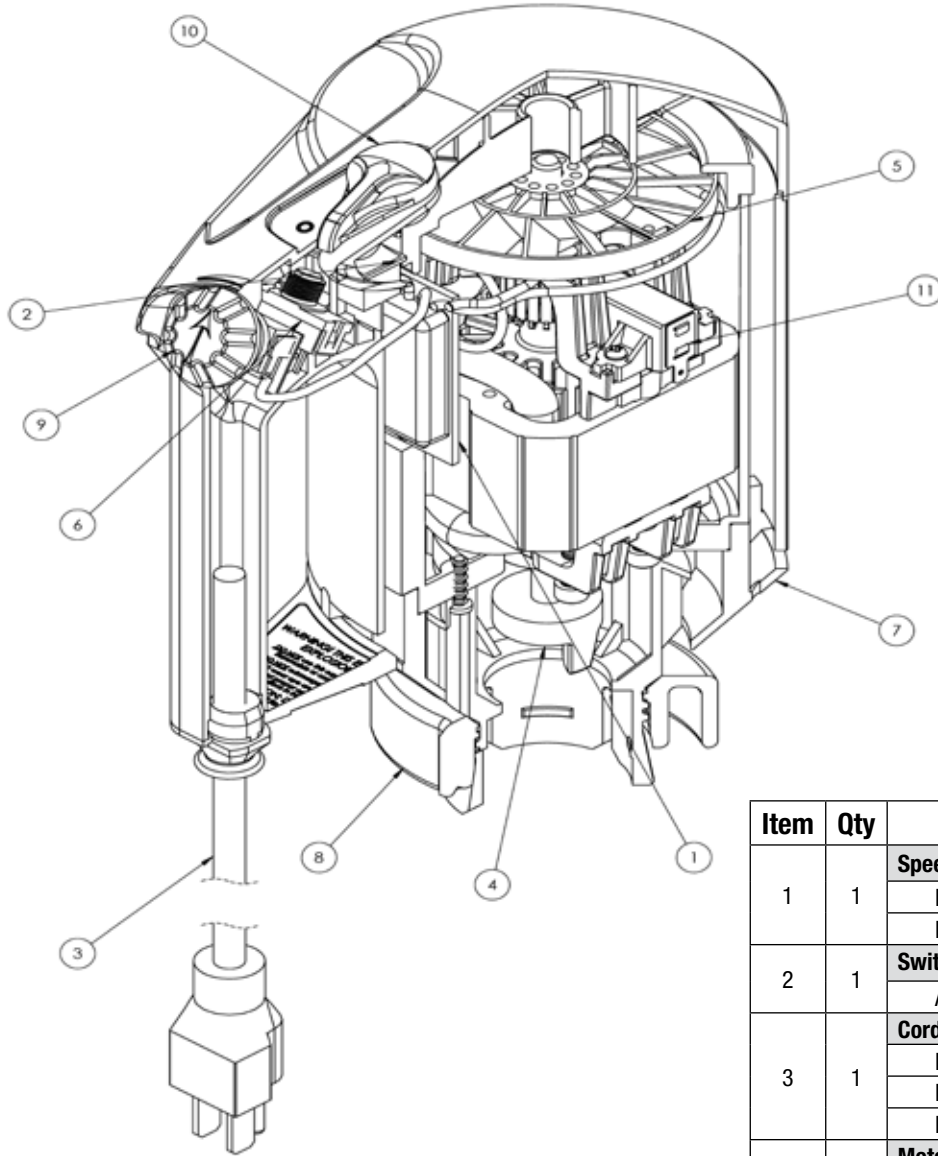
**FINISH THOMPSON INC.**

921 Greengarden Road • Erie, PA 16501-1591 U.S.A.  
Ph 814-455-4478 • Fax 814-455-8518  
Email [fti@finishthompson.com](mailto:fti@finishthompson.com) • [www.finishthompson.com](http://www.finishthompson.com)

Model: M3V  
 Part No: 106655  
 Serial No.: 12345-A09  
 Output: 4/5 HP, 115 VAC, 50/60 Hz  
 Enclosure: 3 (WP) Splashproof  
 LR157411 Thermally Protected  
 Date of Manufacture: 3/31/2009



# PARTS



Item	Qty	Description	Part Number
1	1	<b>Speed Control Assy</b>	
		M3V	106624
		M5V	106624-1
2	1	<b>Switch, On\Off</b>	
		All models	106029
3	1	<b>Cord</b>	
		M3V, 115 volt	106648
		M5V-US, 230 volt	106665
		M5V, 230 volt	106666
4	1	<b>Motor Coupling</b>	
		All models	J100012-1
5	1	<b>Fan Blade</b>	
		All models	106027
6	1	<b>Circuit Breaker</b>	
		M3V	107059
		M5V, M5V-US	107064
7	1	<b>Housing Repair Kit</b>	
		All models	obsolete
8	1	<b>Housing Nut</b>	
		All models	106541
9	1	<b>Speed Control Knob</b>	
		All models	106538
10	1	<b>On/Off Switch Knob Assembly</b>	
		All models	107225



## FINISH THOMPSON INC.

921 Greengarden Road • Erie, PA 16501-1591 U.S.A.  
 Ph 814-455-4478 • Fax 814-455-8518  
 Email [fti@finishthompson.com](mailto:fti@finishthompson.com) • [www.finishthompson.com](http://www.finishthompson.com)

Tech Service 1-800-888-3743  
[techservice@finishthompson.com](mailto:techservice@finishthompson.com)  
 Literature ID No. FT09-1080  
 Part No. 106237-1, R14, 4/19/2016