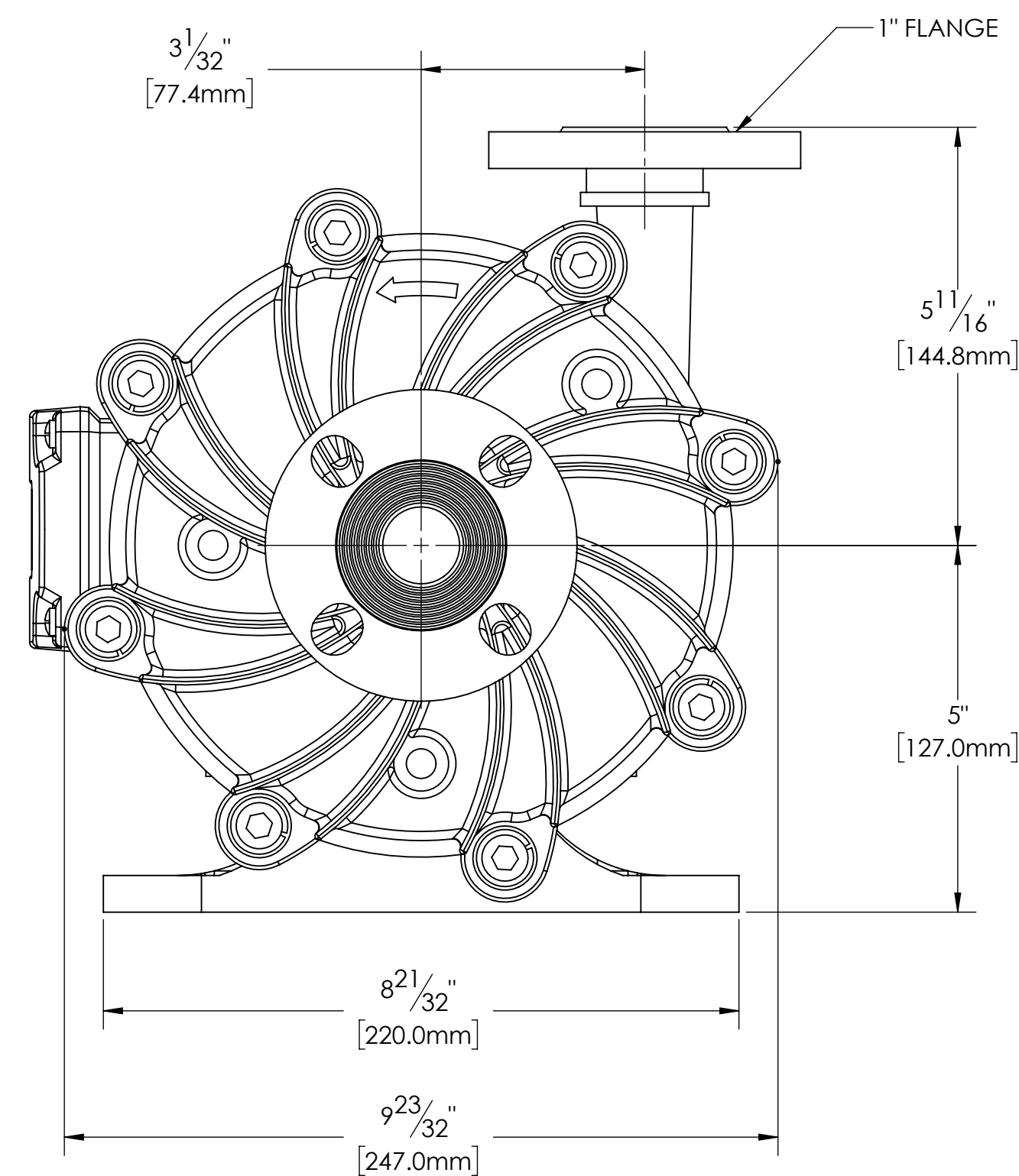
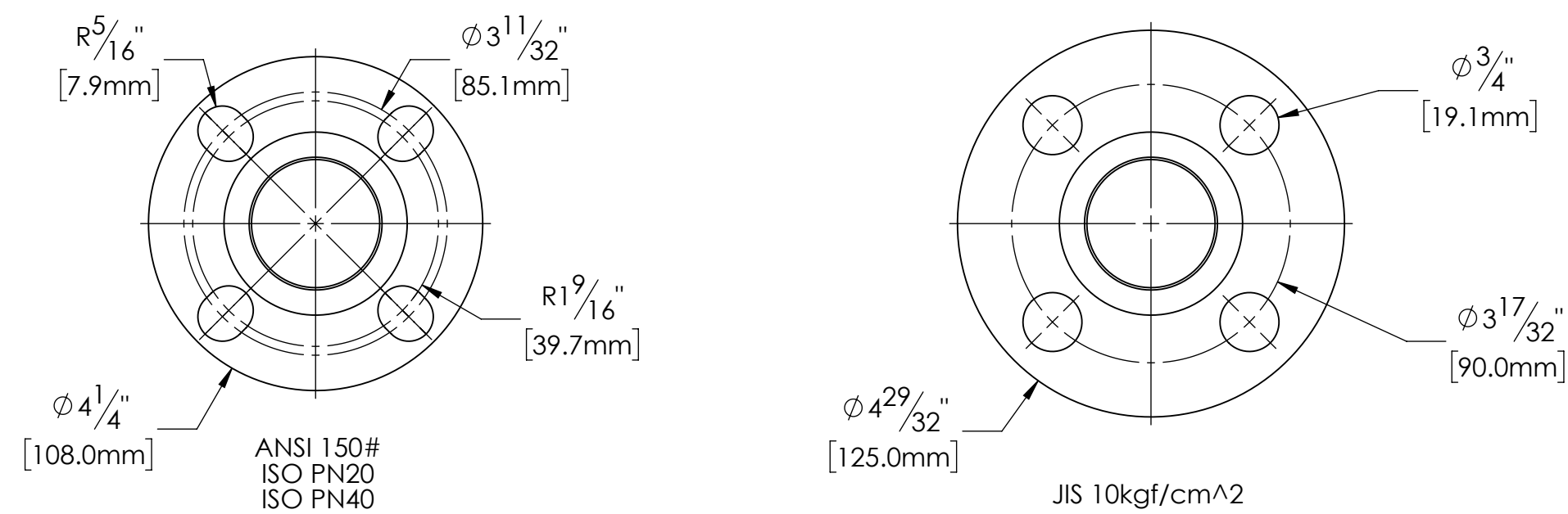


REVISIONS				
REV	DESCRIPTION	DATE	APPR'D	TRACK



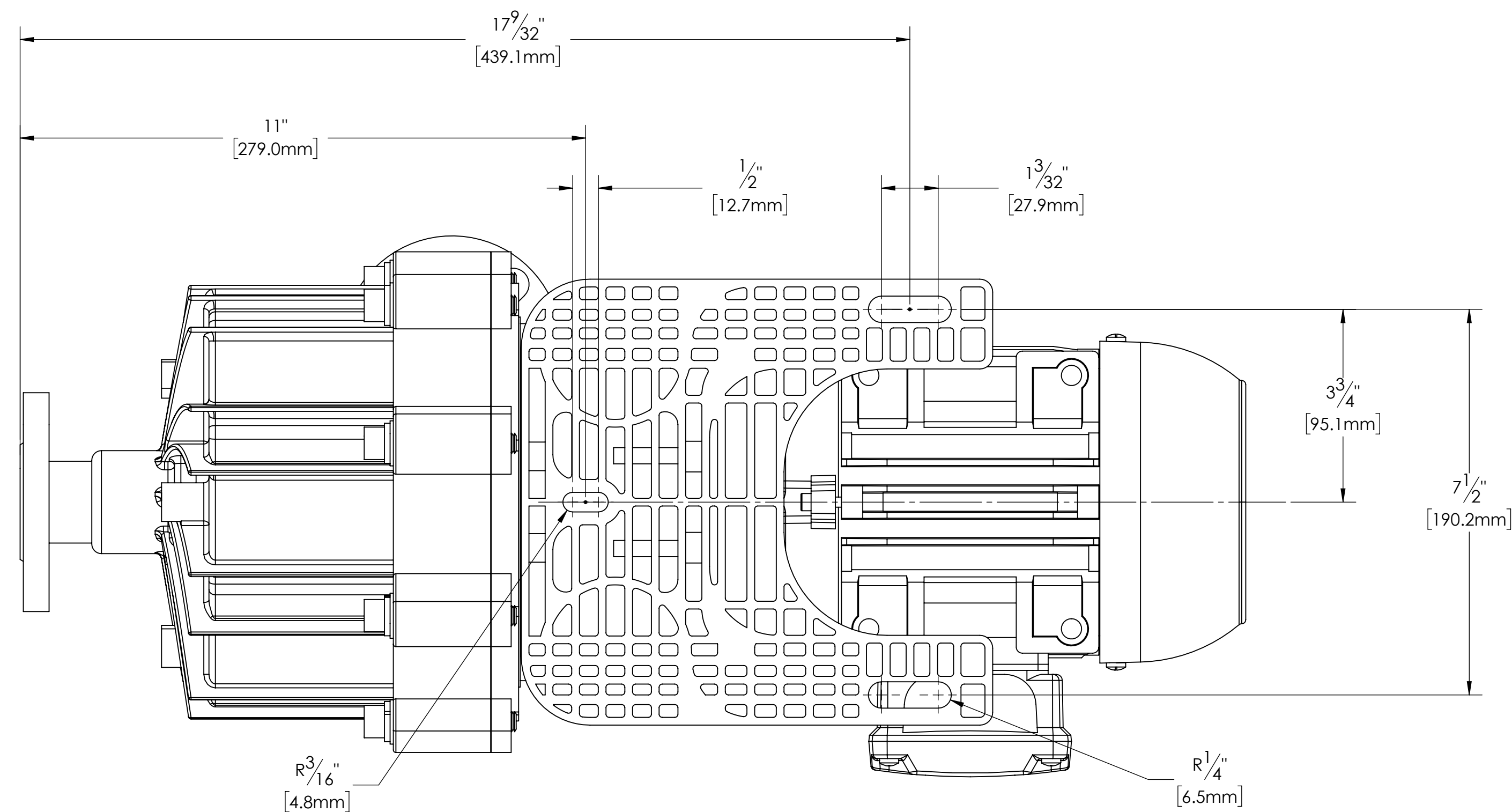
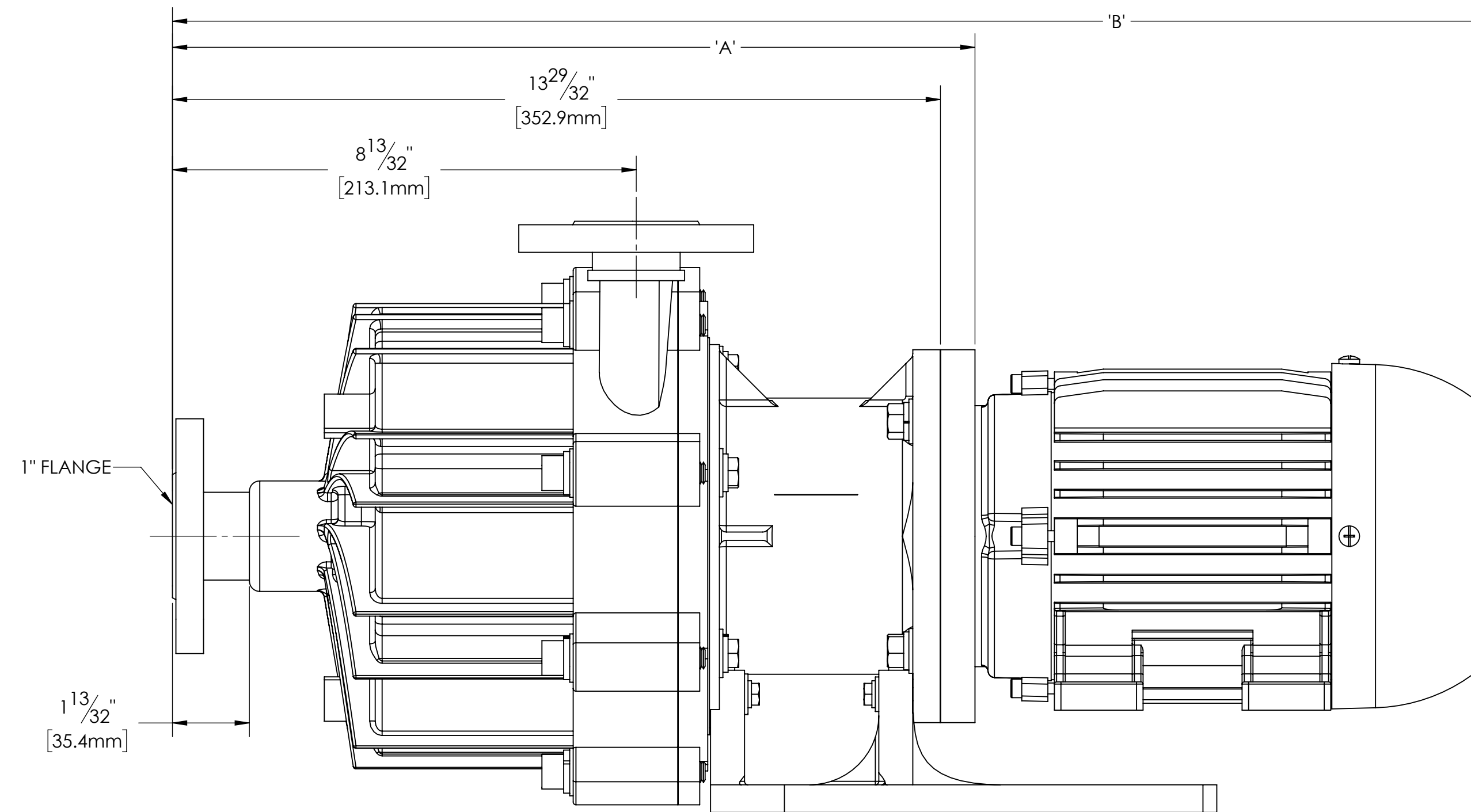
SUCTION & DISCHARGE FLANGE DETAIL



NOTE:

1. ALL WEIGHTS ARE ESTIMATED AND FOR REFERENCE ONLY
2. PUMP WEIGHT IS ESTIMATED USING POLYPRO PUMP COMPONENTS
3. ALL DIMENSIONS ARE FOR REFERENCE ONLY

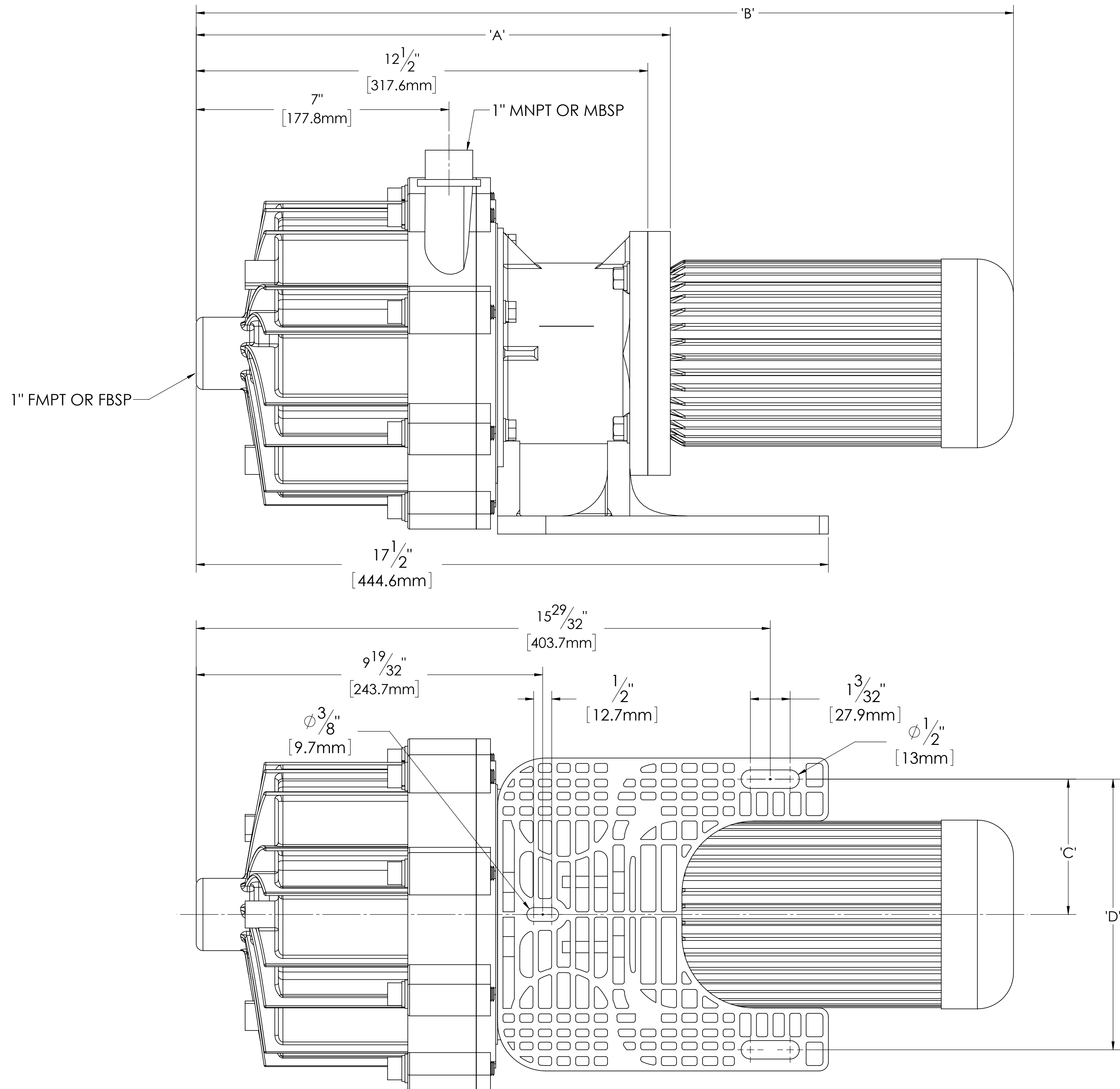
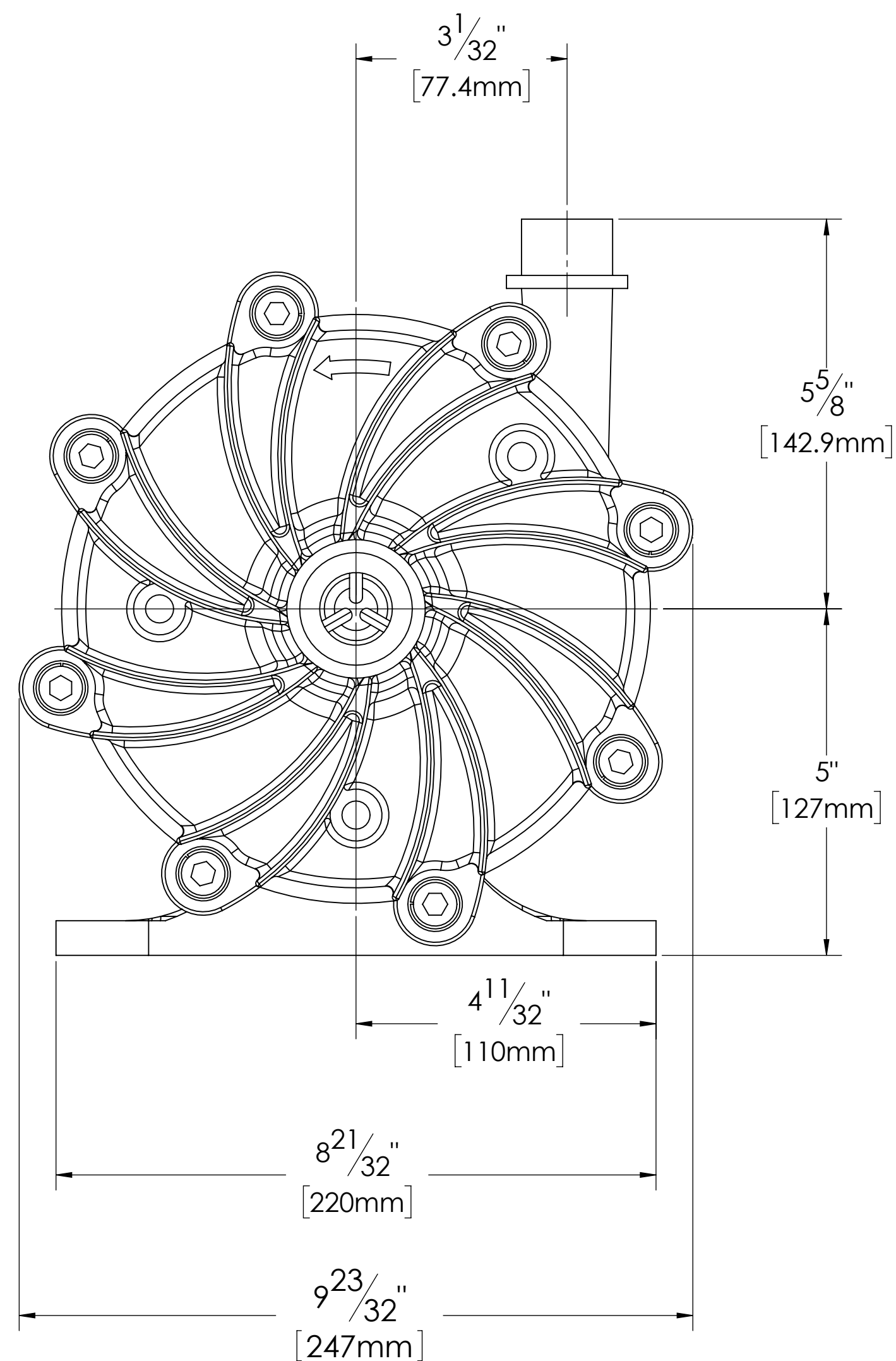
*- DIMENSION DEPENDS UPON MOTOR MANUFACTURER
 **- MOTOR WEIGHT DEPENDS UPON MOTOR MANUFACTURER AND STYLE OF MOTOR USED



MSDB	NEMA 56C FR.	13-29/32" (352.9 mm)	25-3/32" (637.4 mm)	3-3/4" (95 mm)	7-1/2" (191 mm)	30 lbs (13.6 kg)	31 lbs (14 kg)
MSDB	NEMA 143/5TC FR.	13-29/32" (352.9 mm)	25-1/16" (636.6 mm)	3-3/4" (95 mm)	7-1/2" (191 mm)	30 lbs (13.6 kg)	45 lbs (20 kg)
MSDB	NEMA 182/4 TC FR.	14-25/32" (375.4 mm)	28-11/16" (728.7 mm)	3-3/4" (95 mm)	7-1/2" (191 mm)	30 lbs (13.6 kg)	84 lbs (38 kg)
MSDB	IEC 80 FR. B5/B14	14-7/32" (369.1 mm)	24-19/32" (624.7 mm)	3-3/4" (95 mm)	7-1/2" (191 mm)	30 lbs (13.6 kg)	35 lbs (16 kg)
MSDB	IEC 90 FR. B5/B14	14-7/32" (369.1 mm)	24-25/32" (629.4 mm)	3-3/4" (95 mm)	7-1/2" (191 mm)	30 lbs (13.6 kg)	50 lbs (23 kg)
MSDB	IEC 100 FR. B5/B14	14-19/32" (370.7 mm)	26-9/32" (667.5 mm)	3-5/32" (80 mm)	6-10/32" (160 mm)	30 lbs (13.6 kg)	70 lbs (32 kg)
MSDB	IEC 112 FR. B5/B14	14-19/32" (370.7 mm)	26-25/32" (645 mm)	3-3/4" (95 mm)	7-1/2" (191 mm)	30 lbs (13.6 kg)	88 lbs (40 kg)
PUMP MODEL	MOTOR FRAME	DIM 'A'	DIM 'B' *	DIM 'C'	DIM 'D'	PUMP WT.	MOTOR WT. **

UNLESS OTHERWISE SPECIFIED		DISTRIBUTION BLOCK		 521 GREENGARDEN ROAD ERIE, PENNSYLVANIA 16501 PHONE: (814) 455-4478 FAX: (814) 455-8518		
DIMENSIONS ARE IN INCHES TOLERANCES ARE: XXX + .005 XX - .010 FRAC. ± .002 DEGREE ± 1° FINISH 125		DEPT	REC'D	DEPT	REC'D	PRODUCT:
DRAWN: C.M.B		PUMP ASSM	INI MOLD	MSDB		TITLE
ENGR:		STILL ASSM	PURCH	OUTLINE DIM- FLANGED HSG		SIZE: PART NUMBER
DO NOT SCALE DRAWING		WELD SHOP	SALES	R102312		REV. 0
CAD GENERATED DRAWING. DO NOT MANUALLY UPDATE		MACH SHOP	ADV	SCALE: X		SHEET 1 OF 1

REVISIONS				
REV	DESCRIPTION	DATE	APPR'D	TRACK
1	REVISED DRAWING TO SHOW SAME HOUSING FOR 2 AND 3 STAGE PUMPS	6-25-05	CMB	
1	REVISED DRAWING FOR NEW HSG LENGTH	5/26/20	CMB	



NOTE:

1. ALL WEIGHTS ARE ESTIMATED AND FOR REFERENCE ONLY
2. PUMP WEIGHT IS ESTIMATED USING POLYPRO PUMP COMPONENTS
3. ALL DIMENSIONS ARE FOR REFERENCE ONLY

*- DIMENSION DEPENDS UPON MOTOR MANUFACTURER
 **- MOTOR WEIGHT DEPENDS UPON MOTOR MANUFACTURER AND STYLE OF MOTOR USED

PUMP MODEL	MOTOR FRAME	DIM 'A'	DIM 'B' *	DIM 'C'	DIM 'D'	PUMP WT.	MOTOR WT. **
MSDB	NEMA 56C FR.	12-1/2" (317.5 mm)	23-11/16" (601.7 mm)	3-3/4" (95 mm)	7-1/2" (191 mm)	30 lbs (13.6 kg)	31 lbs (14 kg)
MSDB	NEMA 143/5TC FR.	12-1/2" (317.5 mm)	23-21/32" (600.9 mm)	3-3/4" (95 mm)	7-1/2" (191 mm)	30 lbs (13.6 kg)	45 lbs (20 kg)
MSDB	NEMA 182/4 TC FR.	13-3/8" (339.7 mm)	27-9/32" (692.9 mm)	3-3/4" (95 mm)	7-1/2" (191 mm)	30 lbs (13.6 kg)	84 lbs (38 kg)
MSDB	IEC 80 FR. B5/B14	13-1/8" (333.4 mm)	23-3/16" (589 mm)	3-3/4" (95 mm)	7-1/2" (191 mm)	30 lbs (13.6 kg)	35 lbs (16 kg)
MSDB	IEC 90 FR. B5/B14	13-1/8" (333.4 mm)	23-3/8" (594 mm)	3-3/4" (95 mm)	7-1/2" (191 mm)	30 lbs (13.6 kg)	50 lbs (23 kg)
MSDB	IEC 100 FR. B5/B14	13-3/16" (335 mm)	24-7/8" (632 mm)	3-5/32" (80 mm)	6-10/32" (160 mm)	30 lbs (13.6 kg)	70 lbs (32 kg)
MSDB	IEC 112 FR. B5/B14	13-3/16" (335 mm)	25-3/8" (645 mm)	3-3/4" (95 mm)	7-1/2" (191 mm)	30 lbs (13.6 kg)	88 lbs (40 kg)

UNLESS OTHERWISE SPECIFIED		DISTRIBUTION BLOCK		521 GREENGARDEN ROAD ERIE, PENNSYLVANIA 16501		PHONE: (814) 455-4478 FAX: (814) 455-8518	
DIMENSIONS ARE IN INCHES	DEPT	REC'D	DEPT	REC'D	PRODUCT: MSDB		
TOLERANCES ARE: XXX ± .005 XX ± .010 FRAC ± .102 DEGREE ± 1° FINISH 125	PUMP ASSM		INI MOLD		TITLE: OUTLINE DIM. THREADED CONNECTION		
	STILL ASSM		PURCH	X	SIZE: PART NUMBER	REV. 2	
	WELD SHOP		SALES		D	R100428	
SIGNATURES	DATE	MACH SHOP	ADV		SCALE: 1:1.75	SHEET 1 OF 1	CHECKED
ENGR:					CAD GENERATED DRAWING. DO NOT MANUALLY UPDATE		
DO NOT SCALE DRAWING							