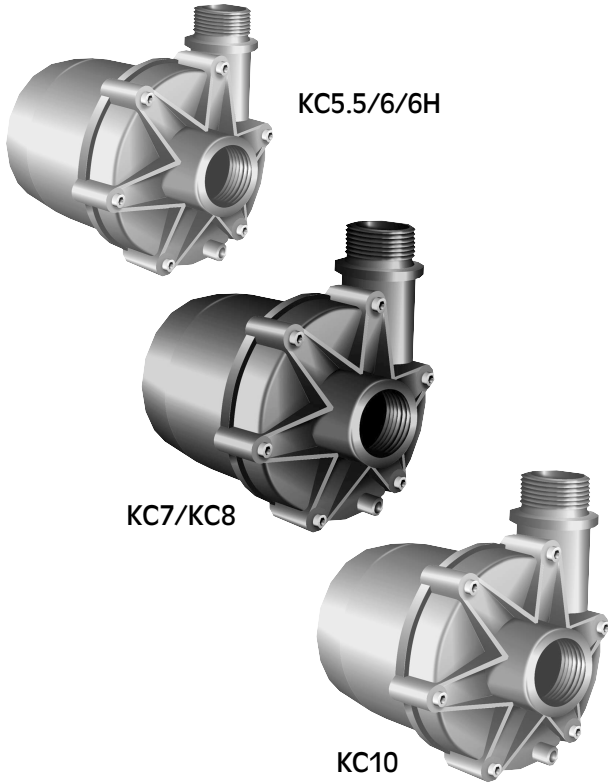


# KC Series

MAGNETIC SEALLESS PUMPS

## KC5.5, 6, 6H, 7, 8 & 10 Sealless\* Centrifugal Pumps 1/3 to 1-1/2 HP (.19 to .55 kW)



### Features

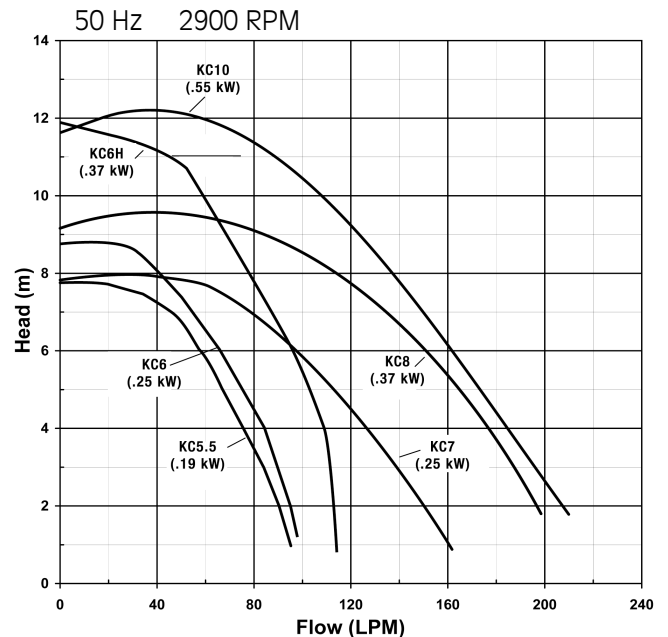
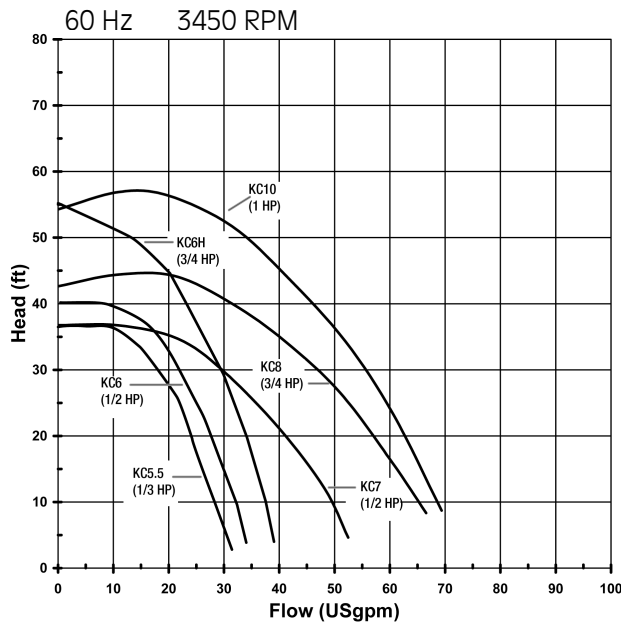
- Extended\* run dry capabilities
- Polypropylene or PVDF
- Standard NEMA 56C or IEC 63/B14, 71/B14, 80/B14, 90/B14 motors
- TEFC, Exp, 575V motors
- Retrofittable to existing OEM equipment
- NPT or BSP threads
- Back pull-out design for easy service
- Optional 1/4" NPT drain in suction casing

\* 24 hours or more with carbon bushing

### Typical Applications

- Chemical processing
- Plating
- Printed circuit board manufacturing
- Semi-conductor
- Wet scrubber
- Photo processing
- Pulp and paper
- Pharmaceuticals
- Heat exchanger
- Water and waste water

### Performance



# Specifications

| MODEL NUMBER | SUCTION<br>(FNPT/BSP)   | IMPELLER<br>SIZE |     | MAX. FLOW |          | MAX. HEAD |          | SPECIFIC<br>GRAVITY*<br>@ 30 CPS | MOTOR† |     | MAX. WORKING<br>PRESSURE | WEIGHT** |    | MAX      |            | MAX |     |
|--------------|-------------------------|------------------|-----|-----------|----------|-----------|----------|----------------------------------|--------|-----|--------------------------|----------|----|----------|------------|-----|-----|
|              | DISCHARGE<br>(MNPT/BSP) |                  |     | 3450 rpm  | 2900 rpm | 3450 rpm  | 2900 rpm |                                  |        |     |                          |          |    | TEMP. PP | TEMP. PVDF |     |     |
|              |                         | inch             | cm  | GPM       | LPM      | ft        | m        |                                  | °F     | °C  |                          | °F       | °C |          |            |     |     |
| KC 5.5       | 1                       | 3.0              | 7.6 | 31        | 95       | 36.7      | 7.8      | 1.4                              | 1/3    | .19 | 60                       | 26       | 12 | 180      | 82         | 220 | 104 |
|              | 3/4                     |                  |     |           |          |           |          |                                  |        |     |                          |          |    |          |            |     |     |
| KC 6         | 1                       | 3.19             | 8.1 | 33        | 99       | 39.8      | 8.6      | 1.4                              | 1/2    | .25 | 60                       | 26       | 12 | 180      | 82         | 220 | 104 |
|              | 3/4                     |                  |     |           |          |           |          |                                  |        |     |                          |          |    |          |            |     |     |
| KC6H         | 1                       | 3.88             | 9.9 | 38        | 115      | 55        | 11.8     | 1.4                              | 3/4    | .37 | 60                       | 26       | 12 | 180      | 82         | 220 | 104 |
|              | 3/4                     |                  |     |           |          |           |          |                                  |        |     |                          |          |    |          |            |     |     |
| KC7          | 1 1/2                   | 3.19             | 8.1 | 52        | 159      | 37        | 7.9      | 1.4                              | 1/2    | .25 | 60                       | 26       | 12 | 180      | 82         | 220 | 104 |
|              | 1                       |                  |     |           |          |           |          |                                  |        |     |                          |          |    |          |            |     |     |
| KC 8         | 1 1/2                   | 3.5              | 8.9 | 67        | 200      | 43        | 9.2      | 1.4                              | 3/4    | .37 | 60                       | 32       | 15 | 180      | 82         | 220 | 104 |
|              | 1                       |                  |     |           |          |           |          |                                  |        |     |                          |          |    |          |            |     |     |
| KC 10        | 1 1/2                   | 3.88             | 9.9 | 69        | 210      | 54        | 11.6     | 1.4                              | 1      | .55 | 60                       | 40       | 18 | 180      | 82         | 220 | 104 |
|              | 1                       |                  |     |           |          |           |          |                                  |        |     |                          |          |    |          |            |     |     |

\*Obtainable without trimming impeller. Magnet upgrades available to handle higher specific gravities up to 1.8. Contact FTI.

\*\*Varies with motor.

†HP recommendation is based on full flow and 1.0 specific gravity.

Note: Actual performance may vary. Pump models and performance vary with conditions.

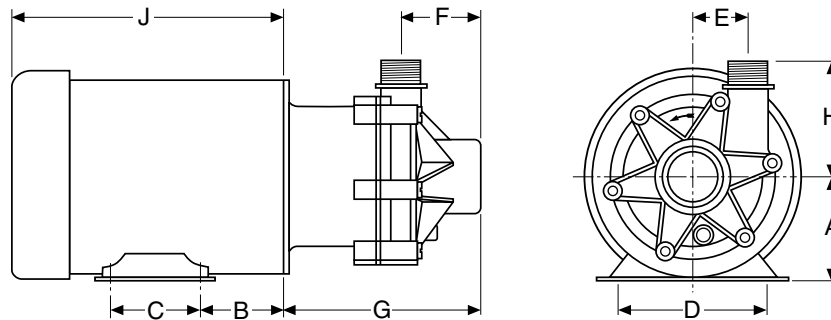
# Dimensions

| MODEL NUMBER     | MOTOR FRAME | A     |     | B     |     | C    |    | D     |      | E       |     | F      |     | G     |      | H     |     | J*   |    |
|------------------|-------------|-------|-----|-------|-----|------|----|-------|------|---------|-----|--------|-----|-------|------|-------|-----|------|----|
|                  |             | inch  | cm  | inch  | cm  | inch | cm | inch  | cm   | inch    | cm  | inch   | cm  | inch  | cm   | inch  | cm  | inch | cm |
| KC 5.5/6/6H NPT  | 56C         | 3-1/2 |     | 2-3/4 |     | 3    |    | 4-7/8 |      | 1-13/16 |     | 2-1/16 |     | 6     |      | 3-1/2 |     | 9    |    |
| KC 5.5/6/6H BSP† | 71 B3/B14   |       | 7.1 |       | 4.5 |      | 9  |       | 11.2 |         | 4.6 |        | 5.2 |       | 15.3 |       | 8.9 |      | 21 |
| KC7/8/10 NPT     | 56C         | 3-1/2 |     | 2-3/4 |     | 3    |    | 4-7/8 |      | 1-7/8   |     | 2-3/4  |     | 6-3/4 |      | 3-7/8 |     | 9    |    |
| KC7/8/10 BSP     | 80 B3/B14   |       | 8   |       | 5.0 |      | 10 |       | 12.5 |         | 4.8 |        | 7   |       | 17.1 |       | 9.8 |      | 25 |
| KC7/8/10 BSP     | 90 B3/B14   |       | 9   |       | 5.6 |      | 10 |       | 14   |         | 4.8 |        | 7   |       | 17.1 |       | 9.8 |      | 27 |

\*Varies with motor manufacturer.

†Available in 63 frame.

Models KC5.5, 6, 6H, 7, 8, 10



Drawings are for reference only.



**FINISH THOMPSON INC.**

921 Greengarden Road • Erie, PA 16501-1591 U.S.A.

Ph 814-455-4478 • Fax 814-455-8518

Email [fti@finishthompson.com](mailto:fti@finishthompson.com) • [www.finishthompson.com](http://www.finishthompson.com)

Toll Free USA & Canada 1-800-934-9384

Literature I.D. No. - FT95-584K, 9/03

