



GP22/32 SERIES

Sealed Non-Metallic Centrifugal Pumps Installation and Maintenance Instructions

ASSEMBLY

Unpack pump from carton and check for shipping damage.

PUMPS WITH MOTOR

No assembly required. Simply unpack the pump and motor and examine for any shipping damage. If damage is detected, save the packaging and notify the carrier immediately.

Remove the shipping plugs from the suction and discharge of the pump and proceed to the "Installation Requirements" section of these instructions.

PUMPS WITHOUT MOTORS

184JM MOTOR ADAPTER (STANDARD)

1. Unpack the pump and examine for any shipping damage. If damage is detected, save the packaging and notify the carrier immediately.
2. Prepare to install the pump onto the motor.
 - a. Remove the protective shroud (Item #22) from the Motor Adapter (item #6).
 - b. Install key (provided) on keyway of motor and coat with anti-seize.
3. Align pump impeller shaft with the motor shaft and key, then push pump onto the motor.
4. Pull the socket head bolt, impeller cap and impeller cap o-ring (Items #4, 13, 16) from the hardware bag.
 - a. Install the socket head bolt through the suction of the pump with a 5/16" hex key. Coat threads of socket head bolt with anti-seize and tighten in a clockwise rotation. It may be necessary to hold the motor fan blade with a screwdriver to keep motor shaft from turning.
 - b. Install the impeller cap and impeller cap o-ring using a large flat head screwdriver in a clockwise rotation.

IMPORTANT: Do not cross thread impeller cap or leakage could occur.
5. Now install motor adapter bolts and washers (Items #12,19) and tighten securely.
6. Verify back of impeller is not touching the housing cover by looking into the discharge of the pump.
7. Reinstall protective shroud back onto the motor adapter.
8. Install pump according to installation instructions.

90,100/112 Motor Adapters (Metric)

1. Unpack the pump and examine for shipping damage. If damage is detected, save the packaging and notify the carrier immediately.
2. Prepare to install the pump onto the motor.
 - a. Remove the protective shroud (Item #22) from the motor adapter (item #6).
 - b. Install key (provided) on keyway of motor and coat with anti-seize.
3. Align pump impeller shaft with the motor shaft and key, then push pump onto the motor until it bottoms out.

4. Tighten the two (2) set screws (Item #25) on the motor shaft to 7.9 N•m (70 in•lbs).
5. Now install motor adapter bolts and washers (Items #12,19) and tighten securely.
6. Verify back of impeller is not touching the housing cover by looking into the discharge of the pump.
7. Reinstall protective shroud back onto the motor adapter.
8. Install pump according to installation instructions.

INSTALLATION

MOUNTING

Motor or base plate must be securely fastened.

PIPING

- Always support the piping near the pump to minimize stress and strain on the pump's casing.
- Minimize frictional losses by increasing the piping size by one diameter.
- Use a minimal number of bends, keeping any bends at least a distance of ten pipe diameters away from the pump.
- Install valves on the suction and discharge lines. Place the valves within a minimum distance of ten pipe diameters away from the pump.
- Ensure that the piping is leak free.
- Position the pump as close to the liquid source as possible.
- Maintain a flooded suction at all times.

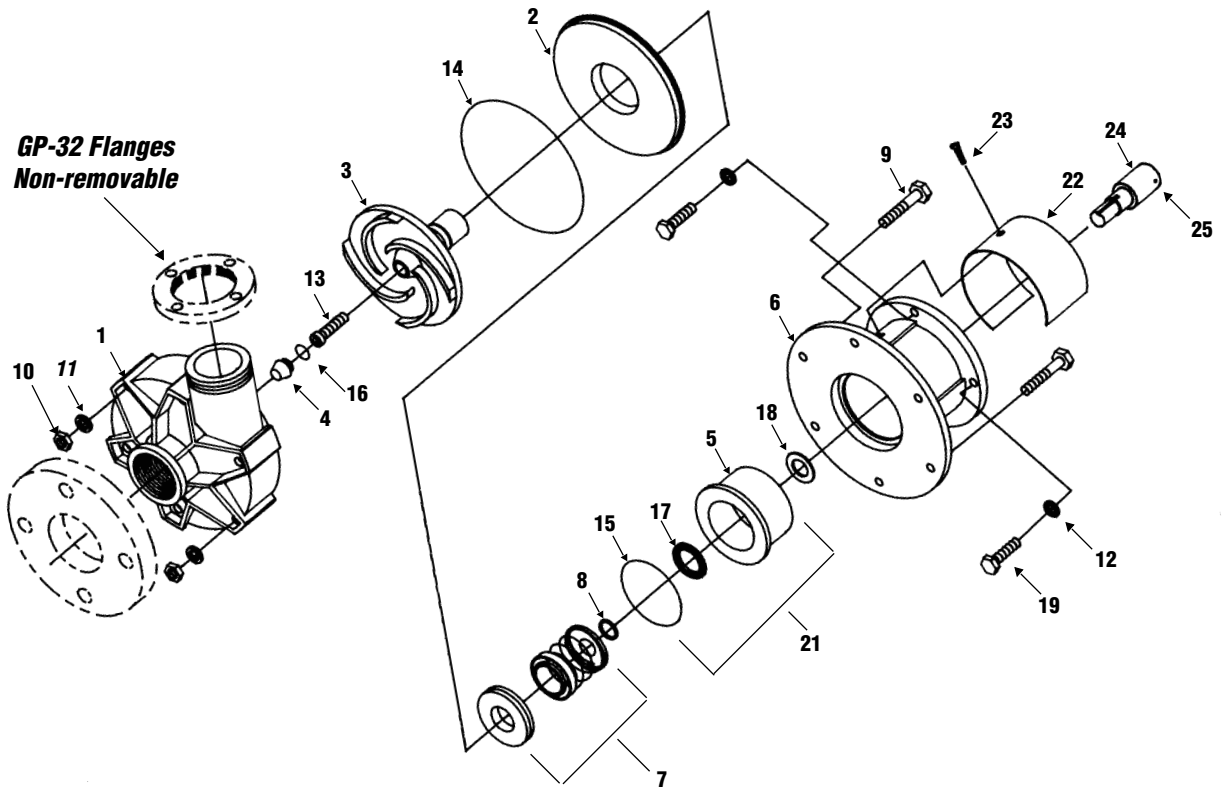
PUMPS WITH COOLING (PRESSURE) COLLARS

A cooling collar provides a water flush to the pump's seal. This is necessary when pumping hot liquids or liquids that tend to build up or crystallize around the seal faces. If your pump is supplied with a cooling collar, proper water flow and pressure are critical to the operation of the pump.

1. Plumb a water supply to the cooling collar. Use the 1/8" NPT threaded holes for the water inlet and drain lines. Either hard pipe or flexible tubing is suitable.
2. Adjust the water flow and pressure of the flush/cooling water BEFORE starting the pump.
 - For pumps with bellows or multi-spring seals, supply one to two gallons water flow per hour at 1 - 2 psi.
 - For pumps with a double seal, supply one to two gallons water flow per hour at 5 - 10 psi ABOVE the discharge pressure of the pump.

CAUTIONS:

- 1) Never run a pump equipped with a cooling collar without a proper water supply. Doing so will result in damage to the pump. Use of a flow switch is recommended.
- 2) Do not over pressurize the cooling collar's water supply. Doing so can result in damage to pump components.



Item	Qty.	Description	Part No.
1	1	Impeller Housing	
		2"x2" NPT, polypropylene (GP22)	M100870-1
		2"x2" NPT, PVDF (GP22)	M100870-2
		2"x2" BSP, polypropylene (GP22)	105388
		2"x2" BSP, PVDF (GP22)	105388-1
		3"x2" flanged, polypropylene (GP32)	A101230-1
		3"x2" flanged, PVDF (GP32)	A101230-2
2	1	Impeller Housing Cover	
		Polypropylene	M100868-1
		PVDF	M100868-2
3	1	Impeller	
		6-1/8" - PVDF - bellows/multispring seal models only	A101761-1
		5" - PVDF - bellows/multispring seal models only	A101761-3
		5-1/2" - PVDF - bellows/multispring seal models only	A101761-2
		4-1/2" - PVDF - bellows/multispring seal models only	A101761-4
		6-1/8" - PVDF - double seal models only	A101761-5
		5-1/2" - PVDF - double seal models only	A101761-6
		5" - PVDF - double seal models only	A101761-7
		4-1/2" - PVDF - double seal models only	A101761-8
4	1	Impeller Cap	
		PVDF	M100130
5	1	Cooling/Press Collar Only	
		Polypropylene - use with double seal pumps	M100132
6	1	Motor Adapter	
		NEMA 184JM frame	M101569
		IEC 90 frame	M101570-2
		IEC 100/112 frame	M101570-1
7	1	Seals (standard options - call factory for additional options)	
		Bellows - C/R/V	J100122
		Multispring - C/RH/V	J100123
		Double - C/RH/V,C/RH/V	J100124
8	1	Retaining Ring	
		Stainless steel	J100125
9	6	Hex Head Cap Screw	
		5/16-18x3" stainless steel	J101058

Item	Qty.	Description	Part No.
10	6	Hex Nut	
		5/16-18 stainless steel	J101257
11	6	Flat Washer	
		5/16 SAE stainless steel	J101293
12	4	Lock Washer	
		3/8 stainless steel	J100115
13	1	Hex Head Cap Screw	
		3/8-16 x 1/2 stainless steel	J100129
14	1	Housing O-ring	
		FKM	J101085
		EPDM	J101086
15	1	Cooling Collar O-ring	
		FKM	J100118
		EPDM	J100119
16	1	Impeller Cap O-ring	
		FKM	J100132
		EPDM	J100133
17	1	Cooling Collar Seal (for use w/ bellows & multispring seals)	
		Lip Seal	J100134
18	1	Slinger Ring	
		Neoprene	M100135
19	4	Hex Screw	
		3/8" x 16 x 1" stainless steel (4 required)	J100114
21	1	Cooling Collar Assembly (for use w/ bellows & multispring seals)	
		w/ FKM o-ring & lip seal	A100188
22	1	Protective Guard	
		For single seal	M100851
23	1	Protective Shroud Screw	
		Stainless steel	J102112
24	1	Shaft Adapter with Set Screws	
		IEC 90 frame	A102047
		IEC 100/112 frame	A102048
25	4	Knurled Cup Point Set Screw	
		1/4-20 x 1/4 stainless steel	J100220

SPECIAL PIPING SITUATIONS

Suction Lift

1. Install a priming chamber on the feed side of the pump or appropriate piping on the discharge for priming the pump.
2. Install a foot valve on the bottom of the suction piping to maintain a prime to the pump.

⚠ CAUTION: Suction prime must be maintained at all times. Running the pump dry will cause damage to pump components. To protect the pump if prime is lost, use a pressure switch on the discharge, a vacuum switch on the suction, or a motor minder to monitor motor current draw.

PUMPING LIQUIDS WHICH MAY SOLIDIFY OR CRYSTALLIZE

Add a flush system to the pump's piping to prevent accumulation of material inside the pump. Install water inlet and outlet valves as shown in Figure 1. Refer to the "Operation" section of these instructions for the flush procedure.

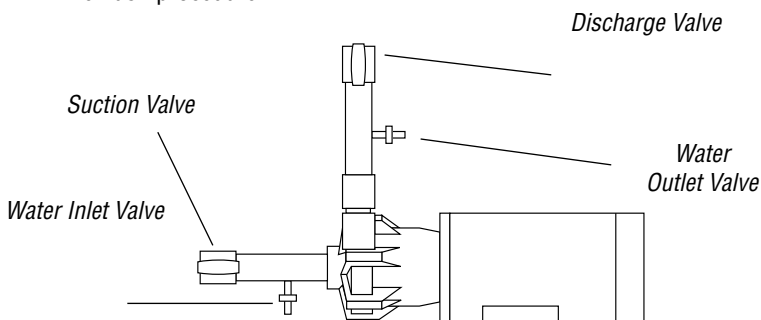


Figure 1

ELECTRICAL CONNECTIONS

1. Install the motor according to NEC requirements and local electrical codes. Motor should have an overload protection circuit.
2. Wire the motor for clockwise rotation when facing the fan end of the motor.
3. To verify correct rotation of the motor:
 - a. Install the pump into the system.
 - b. Fully open the suction and discharge valves.
 - c. Allow fluid to flow into the pump. Do not allow the pump to run dry.
 - d. Jog the motor (allow it to run for only one to two seconds) and observe the rotation of the motor fan. Refer to the directional arrow on the pump if needed.

NOTE: A pump running backward will run but at a greatly reduced flow and pressure.

OPERATION

FLOODED SUCTION SYSTEMS

1. Fully open the suction and discharge valves.
2. If a cooling collar is used, turn on the cooling water.
3. Start the pump and verify liquid is flowing. If there is no liquid flow, refer to the "Troubleshooting" section of these instructions.
4. Adjust the flow rate and pressure by regulating the discharge valve.

⚠ CAUTION: Never attempt to adjust the liquid flow with the suction valve. Limiting the suction will result in damage to the pump's components.

SUCTION LIFT SYSTEMS

1. Fully open suction and discharge valves.
2. If a cooling collar is used, turn on the cooling water.
3. Prime the pump by filling the priming chamber. Allow time for any trapped air in the suction piping to escape.
4. Start the pump. Adjust the flow rate and pressure by regulating the discharge valve.

CAUTION: Never attempt to adjust the liquid flow with the suction valve. Limiting the suction will result in damage to pump components.

FLUSH SYSTEMS

1. Fully close the suction and discharge valves.
2. Connect the water supply to the water inlet valve and connect a drain hose to water outlet valve.
3. Turn on the water supply and open the inlet and outlet valves. Flush the system until the pump has been cleared of any material buildup (approximately 5 minutes).
4. Close the inlet and outlet valves and turn off water supply.

SEALS

SEAL REMOVAL AND INSPECTION

1. Disconnect the piping and electrical power from the pump.
2. Disassemble the pump from the motor adapter.
 - a. Remove the six hex-head cap screws from the impeller housing. The impeller housing will loosen if gently tapped at the discharge outlet.
 - b. Remove the protective shroud from the motor adapter.
 - c. While preventing the motor shaft from moving (insert a screwdriver into the motor's fan), unscrew the impeller cap with o-ring and socket head bolt (Items #4, 16 and 13) in a counterclockwise rotation. Use large flathead screw driver and 5/16" hex key. Remove the impeller, seal, cooling collar (if applicable) and housing cover as one assembly from the motor shaft.

Note: For pumps using 90, 100/112 motor adapters, leave the shaft adapter secured to the motor shaft.

3. Remove the seal for inspection.
 - a. Lubricate the impeller's shaft with a rubber lubricant emulsion or soapy water to allow the seal to slide easier.
 - Note:** Never use a petroleum product for lubrication. Doing so will effect the seal elastomer's performance after reassembly.
 - b. If no cooling collar is present, carefully remove the retaining ring that holds the rear of the seal. If equipped with a cooling collar, carefully slide the cooling collar off of the impeller's shaft.

- With single bellows or multi-spring seals, a retaining ring holds the seal in place. Carefully remove the retaining ring. Loosen the four (4) set screw on the multi-spring seal.
- With double seals, the cooling collar holds the seal in place.

⚠ CAUTION: The seal's spring is compressed and under pressure. Use care when removing.

- c. Remove the seal's spring. Grasp the rotating head of the seal by hand and twist to remove from the impeller's shaft.
- d. Remove the housing cover from the impeller.
- e. Press the ceramic stationary seat portion of the seal out of the housing cover.

4. Visually inspect all parts for damage. Replace any parts that appear worn or damaged.
 - Look for scoring of the seal's ceramic face.
 - Inspect the rotating seal face for wear.
 - Check for degradation or chemical attack of any elastomers and other seal components.
 - Look for signs of heat damage (melted plastic) to the housing cover and impeller's shaft.

SEAL INSTALLATION AND PUMP REASSEMBLY

Single Bellows Seal

1. Install the stationary seal face.
 - a. Lubricate the stationary face's o-ring with a rubber lubricant emulsion or soapy water. Keep the polished surfaces of the seal face clean.

Note: Never use a petroleum product for lubrication. Doing so will effect the seal elastomer's performance after reassembly.
 - b. Carefully press the stationary face into the housing cover (use a piece of cardboard to protect the seal while pressing against the stationary face). The smoothest side of the stationary face should be facing outward.
2. Install the rotating face.
 - a. Lubricate the impeller's shaft with a rubber lubricant emulsion or soapy water.
 - b. Carefully slide the housing cover over the impeller's shaft. The side of the housing cover with the pressed-in seal face should be away from the impeller.
 - c. Separate the rotating head of the seal from the large spring. Re-lubricate the impeller's shaft, then carefully slide the rotating head of the seal over the impeller's shaft using a twisting motion. The carbon side of the rotating face should be toward and pressed against the stationary head of the housing cover.

! CAUTION: The carbon portion of the seal is easily damaged. Take care not to apply uneven force or crack the carbon while installing.
3. Install the seal's spring and spring retainer. Compress the spring and snap the retaining ring (item #8) into the groove on the impeller's shaft.
4. Install the assembled seal, impeller and housing cover onto the motor bracket.
 - a. If a cooling collar is being used, slide it onto the impeller's shaft at this time. Take care to align the water connections so they are accessible.
 - b. Install the impeller socket head bolt and cap with o-ring in a clockwise rotation.
 - c. Make certain that the housing cover's o-ring is in place.
 - d. Place the impeller housing into position and install the hardware. Tighten the six hex-head cap screws to 90 in•lbs.

Multi-Spring Seal

The basic installation procedure for a multi-spring seal is the same as for the single bellows seal. The exception is that a multi-spring seal has four (4) set screws which need to be tightened on the impeller shaft.

Double Seal

1. Remove the motor adapter from the motor's face (it is assumed that the pump has previously been removed).
2. Install the stationary seal faces.
 - a. Lubricate the stationary faces' o-rings with a rubber lubri-

cant emulsion or soapy water. Keep the polished surfaces of the seal face clean.

Note: Never use a petroleum product for lubrication. Doing so will affect the seal elastomer's performance after reassembly.

- b. Carefully press the stationary faces into the housing cover and the cooling collar (use a piece of cardboard to protect the seal while pressing against the stationary face). The smoothest side of the stationary faces should be facing outward.

Note: If using a special seal material, it is vital that the special stationary seal face is pressed into the housing cover.

3. Install the rotating faces and cooling collar to the motor adapter.
 - a. Carefully slide the housing cover over the impeller's shaft. The side of the housing cover with the pressed-in seal face should be away from the impeller.
 - b. Separate the rotating head of the seal from the spring.

Note: If using a special seal material, it is vital that the special seal face mates against the housing cover's stationary face.
 - c. Lubricate the impeller's shaft, and then carefully slide the rotating face of the seal over the impeller's shaft using a twisting motion. The carbon or special side of the rotating face should be toward and pressed against the stationary face of the housing cover.

! CAUTION: The carbon or special portion of the seal is easily damaged. Take care not to apply uneven force or crack the carbon or special material while installing.
 - d. Place the seal's spring into position on top of the installed rotating face.
 - e. Re-lubricate the impeller's shaft and then carefully slide the second rotating face of the seal over the impeller's shaft using a twisting motion (the carbon side of the second rotating face should be facing away from the other rotating face). This will require some compression of the seal's spring.
 - f. Place the cooling collar's o-ring into position. Slide the cooling collar onto the impeller's shaft, with the stationary face in the cooling collar pressed against the second rotating face. Continue to slide the cooling collar until it mates against the housing cover. Hold the cooling collar in this position. Take care to align the water connections so they are accessible.

Notes:

- 1) The seal's spring must be compressed further in order to mate the cooling collar and housing cover.
- 2) Take care not to pinch the cooling collar's o-ring. If the o-ring is not properly seated, the cooling collar will leak.

4. Place the pump components onto the motor adapter. While holding the cooling collar against the housing cover, install the assembly into the motor adapter. The motor adapter will hold the cooling collar in place. It will now be necessary to hold the impeller to keep the seal's spring compressed.
5. Carefully place the assembly in position to the motor's face.
 - a. In a clockwise rotation, install the impeller socket head bolt and cap with o-ring. It may be necessary to hold motor's fan with a screwdriver to keep the motor shaft from turning.
 - b. Align the motor adapter so that the access hole is straight up.
 - c. Install and tighten the impeller's set screws through the access hole in the motor adapter (it will be necessary to turn the impeller to expose the holes in the impeller's shaft).

- d. Bolt the motor adapter to the motor using the hex-head cap screws and lock-washers.
 - e. Double check the alignment of the water connection holes in the cooling collar.
6. Install the impeller housing.
- a. Install the housing cover's o-ring.
 - b. Place the impeller housing into position and install the hardware. Tighten the six hex-head cap screws to 90 in•lbs.
 - c. Look through the discharge of the pump to verify proper spacing between the impeller and the housing cover.

TROUBLESHOOTING

NO OR INSUFFICIENT FLOW

1. Pump not primed.
2. Closed valve.
3. Viscosity too high.
4. Air leaks in suction piping.
5. Discharge head higher than anticipated.
6. Suction lift too high or insufficient NPSH. Check also for clogged suction line.

INSUFFICIENT PRESSURE

1. Air or gasses in liquid.
2. Impeller diameter too small.
3. Discharge head higher than anticipated.

LOSS OF PRIME

1. Leaking suction line.
2. Foot valve or suction opening not submerged enough.
3. Foot valve too small or leaking.
4. Air or gasses in liquid.
5. Foreign matter in impeller.

EXCESSIVE POWER CONSUMPTION

1. Head lower than rating. Excessive flow.
2. Specific gravity or viscosity of liquid is too high.

EXCESSIVE VIBRATION

1. Loose piping or bolts.
2. Pump cavitating from improper suction or feed.

WARRANTY

Finish Thompson, Inc (manufacturer) warrants this pump product to be free of defects in materials and workmanship for a period of one year from date of purchase by original purchaser. If a warranted defect, which is determined by manufacturer's inspection, occurs within this period, it will be repaired or replaced at the manufacturer's option, provided (1) the product is submitted with proof of purchase date and (2) transportation charges are prepaid to the manufacturer. Liability under this warranty is expressly limited to repairing or replacing the product of parts thereof and is in lieu of any other warranties, either expressed or implied. This warranty does not apply to normal wear of the product or components.

This warranty does not apply to products or parts broken due to, in whole or in part, accident, overload, abuse, chemical attack, tampering, or alteration. The warranty does not apply to any other equipment used or purchased in combination with this product. The manufacturer accepts no responsibility for product damage or personal injuries sustained when the product is modified in any way. If this warranty does not apply, the purchaser shall bear all cost for labor, material and transportation.

Manufacturer shall not be liable for incidental or consequential damages including, but not limited to process down time, transportation costs, costs associated with replacement or substitution products, labor costs, product installation or removal costs, or loss of profit. In any and all events, manufacturer's liability shall not exceed the purchase price of the product and/or accessories.

CHEMICAL REACTION DISCLAIMER

The user must exercise primary responsibility in selecting the product's materials of construction, which are compatible with the fluid(s) that come(s) in contact with the product. The user may consult Finish Thompson, Inc. (manufacturer) and a manufacturer's representative/distributor agent to seek a recommendation of the product's material of construction that offers the optimum available chemical compatibility.

However neither manufacturer nor agent shall be liable for product damage or failure, injuries, or any other damage or loss arising out of a reaction, interaction or any chemical effect that occurs between the materials of the product's construction and fluids that come into contact with the product's internals.

Warranty Registration

Thank you for your purchase of this quality Finish Thompson product. Be sure to take a minute to register your pump at Finishthompson.com/warranty. Simply provide the model number, serial number and a few other pieces of information.

Call our toll free Technical Service Hot Line, 1-800-888-3743, if you have any questions regarding product operation or repair.

ORDERING SPARE PARTS

Spare parts can be ordered from your local distributor. Always refer to pump model number to avoid error.

OTHER FTI PRODUCTS

Drum Transfer Pumps are available in sanitary construction, stainless steel, polypropylene and CPVC. Flows to 40 gpm, discharge heads to 80 feet and viscosities to 100,000 cP.

Portable Mixers for turbine mixing and blending handle viscosities to 1,000 cP with gentle, non-vortex circulation. Available in 316 stainless steel construction.

Sealless Mag Drive Centrifugal Pumps in polypropylene and CF PVDF. Ansi-dimensional mag drives in ETFE lined ductile iron. Flows to 330 gpm and discharge heads to 325 feet. Handle temperatures up to 220°F (104°C) and have run-dry capability. Mount to standard frame motors.

For further information, contact FTI or your local distributor.



FINISH THOMPSON INC.

921 Greengarden Road • Erie, PA 16501-1591 U.S.A.
Ph 814-455-4478 • Fax 814-455-8518
Email fti@finishthompson.com • www.finishthompson.com

TECH SERVICE 1-800-888-3743
P/N J102611, Rev. 13, 3-26-13
Lit. ID No. FT95-574J





FINISH THOMPSON INC.

921 Greengarden Road • Erie, PA 16501-1591 U.S.A.
Ph 814-455-4478 • Fax 814-455-8518
Email fti@finishthompson.com • www.finishthompson.com

EU Declaration of Conformity



Finish Thompson Inc. hereby declares that the following machine(s) fully comply with the applicable health and safety requirements as specified by the EU Directives listed. The product may not be taken into service until it has been established that the drive motor for the centrifugal pump complies with the provisions of all relevant EU Directives. The complete product complies with the provisions of the EC Directive on machinery safety provided motors carry CE marking.

This declaration is valid provided that the devices are fully assembled and no modifications are made to these devices.

Type of Device:
Centrifugal Pumps

Models:

AC/AK/AV - 400/500/600/800	GP-11/22/32	VKC-5.5/6/6H/7/8/10
DB-3/4/5/5.5/6/6H/7/8/9/10/11/15/22	MSKC	SP-10/11/15/22
KC-3/4/5/5.5/6/6H/8/10/11/22/32	MSVKC	
UC-1516/1516L/1518/1518L/2110/3158/326/326H/328/436/438/4310H/326H/4310H/6410		

EU Directives:
Machinery Safety (2006/42/EC)

Applied Harmonized Standards:
EN ISO 12100
EN 809

Manufacturer: Finish
Thompson Inc.
921 Greengarden Road
Erie, Pennsylvania 16501-1591 U.S.A

Signed,

President

1 August 2016

Person(s) Authorized to Compile Technical File: Finish Thompson GmbH
Otto-Hahn-Strasse 16
Maintal, D-63477 DEU
Telephone: 49 (0)6181-90878-0