

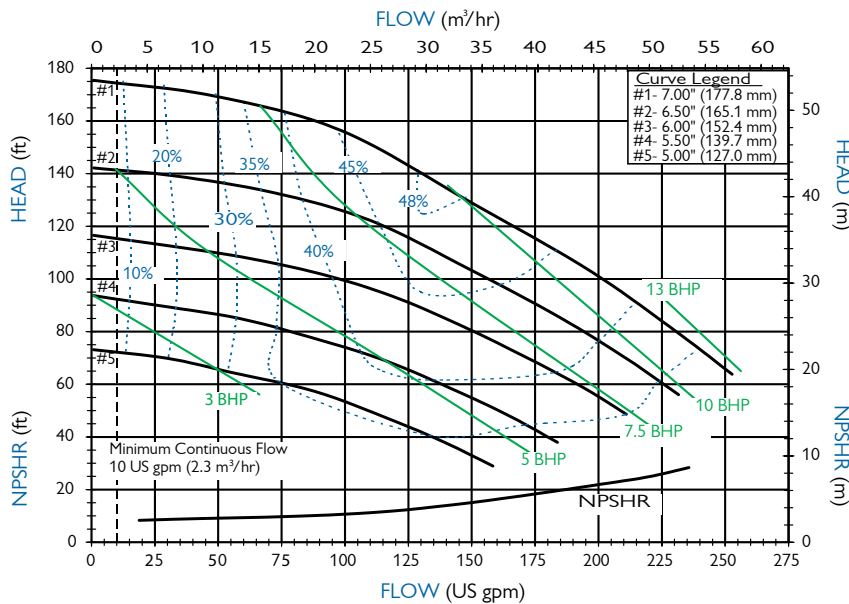


# SP SERIES

## MODEL SP22



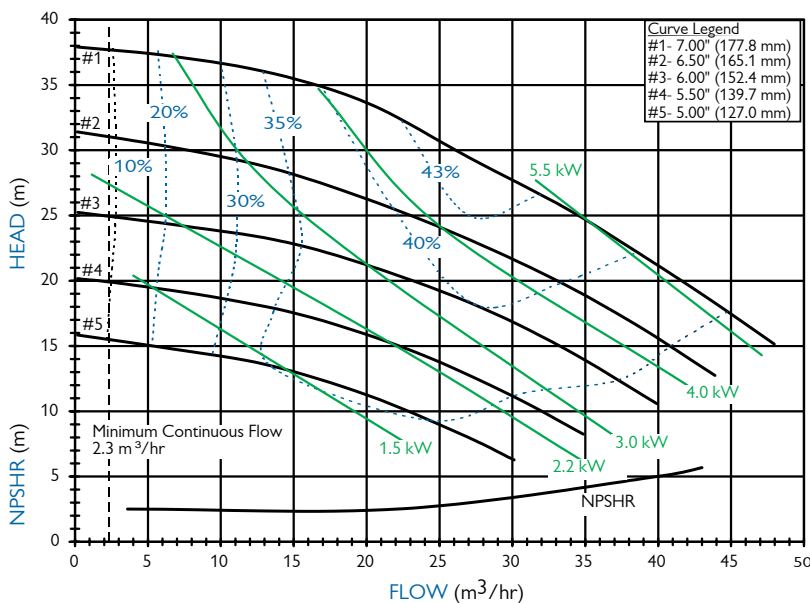
### SP22 PERFORMANCE Flooded Suction 3450 RPM \*



### FEATURES & CAPABILITIES

- + Self-priming, magnetic drive
- + Five-year warranty
- + Provides up to 25 ft. (7.6 m) lift or equivalent
- + Primes 15 ft. (4.57 m) in 90 seconds with maximum diameter impeller at 60 Hz with 3" pipe
- + Retains fluid for re-priming when shut off without a check valve
- + Extended run dry ability (with carbon bushing)
- + High operating efficiency
- + Polypropylene or PVDF construction
- + Powerful neodymium magnets
- + Close-coupled design
- + Threaded (NPT or BSP), union or flange connections
- + Impeller trims available every 1/8" (.32 cm) between smallest and largest diameter
- + Back pullout design
- + Mounts to NEMA and IEC (B5 & B14) motor frames
- + Easy set measurement free drive
- + ISO 1940 G2.5 balancing
- + CE certified
- + High working pressure up to 90 psi (6.2 bar)
- + Specific gravity over 1.8
- + Polypropylene—180° F (82° C)
- + PVDF—220° F (104° C)

### SP22 PERFORMANCE Flooded Suction 2900 RPM \*



### APPLICATIONS

- + Rail cars & tanker trucks
- + Tanks with an opening on top
- + Sumps and reservoirs
- + Below grade storage tanks
- + Over-the-wall applications
- + When run-dry protection is needed
- + and many more!

Notes: Performance curves above are based on flooded suction.

\*Performance will vary with suction lift conditions. For performance at various suction lifts, see curve book on FTI web site ([www.finishthompson.com](http://www.finishthompson.com)) or contact factory.

Maximum power @ 3450 RPM is 13 hp (9.7 kW). [Consult factory for applications above 10 hp (7.5 kW)]. At 2900 RPM, maximum power is 7.5 kW (10 hp).

**Warning! SP Series not recommended for pumping flammables!**

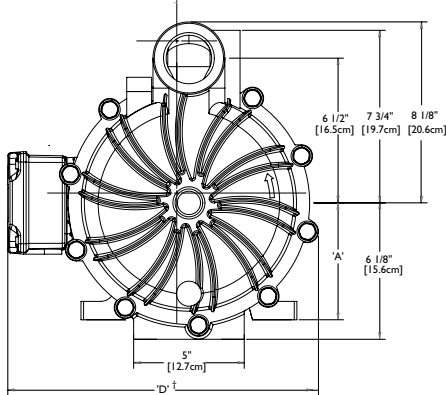
# SP SERIES

## Specifications

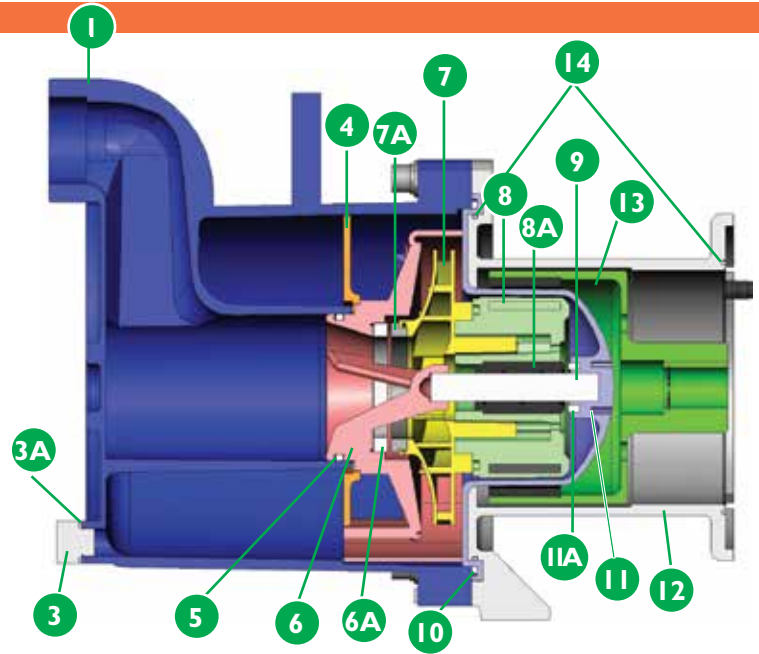
Description	Polypropylene	PVDF
1 Housing	Glass-fiber reinforced polypropylene (GF PP)	Carbon-fiber reinforced PVDF (CF PVDF)
4 Separator plate		
6 Inner volute		
7 Impeller		
3A, 5, 10 O-ring options	FKM, EPDM	
3 Fill and drain plugs*	Polypropylene	PVDF
6A Inner volute thrust ring	High purity alumina ceramic, or silicon carbide (SiC)	
7A Impeller thrust ring	GF molybdenum disulfide filled PTFE or SiC	
8 Inner drive	Neodymium iron boron magnets encapsulated in unfilled polypropylene	Neodymium iron boron magnets encapsulated in unfilled PVDF
8A Bushing	Carbon, PTFE, high purity alumina ceramic, or SiC	
9 Shaft	High purity alumina ceramic, Hastelloy® C, or SiC	
11 Barrier	GF PP	CF PVDF
11A Barrier thrust ring	High purity alumina ceramic	
12 Motor adapter	Ductile iron	
13 Outer drive magnets	Nickel-plated neodymium iron boron magnets/steel	
14 NEMA motor adapter sealing kit	Buna N, FKM, or EPDM	

\*Fill plug not shown

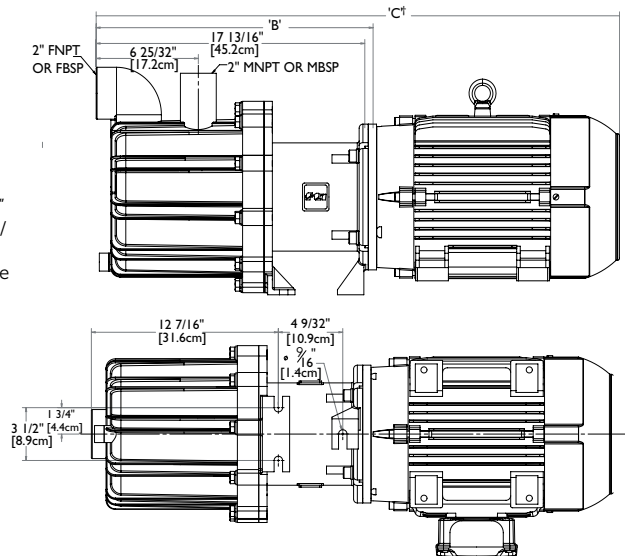
## Dimensions



Also available 2" x 2" or 3" x 2" 150 lb. ANSI/ISO PN20/PN40/ JIS 10K or 63mm x 63mm union connection. Flanges are in compliance with bolting dimensions only.



Hastelloy® C is a registered trademark of Haynes International, Inc.



Motor Frame	A	B	C <sup>†</sup>	D <sup>†</sup>	lbs. [kg] PP	lbs. [kg] PVDF
NEMA 145TC	3-1/2" [8.8 cm]	18-11/16" [32.2 cm]	29-29/32" [76.0 cm]	11-11/16" [29.7 cm]	54 [24.5]	45 [20.0]
NEMA 184TC	4-1/2" [11.4 cm]	17-13/16" [45.2 cm]	31-1/16" [78.9 cm]	12-15/32" [31.7 cm]	46 [20.9]	52 [23.6]
NEMA 213/215TC	5-1/4" [13.3 cm]	18-11/32" [46.6 cm]	34-11/16" [88.1 cm]	14-1/32" [35.7 cm]	51 [23.1]	57 [25.9]
IEC 90 w/B14 or B5	3-17/32" [9.0 cm]	18-11/16" [47.5 cm]	29-11/16" [75.4 cm]	11-11/16" [29.7 cm]	54 [29.7]	60 [27.2]
IEC 100 w/B14 or B5	3-15/16" [10.0 cm]	18-11/16" [47.5 cm]	31-1/8" [79.1 cm]	12-1/8" [30.8 cm]	54 [24.5]	60 [27.2]
IEC 112 w/B14 or B5	4-13/32" [11.2 cm]	18-11/16" [47.5 cm]	31-7/8" [81.0 cm]	12-1/8" [30.8 cm]	54 [24.5]	60 [27.2]
IEC 132 w/ B14 or B5	5-3/16" [13.0 cm]	18-3/4" [47.6 cm]	34-27/32" [88.5 cm]	14-3/16" [36.0 cm]	57 [25.9]	63 [28.6]

Dimensions and weights are for reference only. Weights listed are for pump only; motor not included.

<sup>†</sup>Varies with motor manufacturer.



finishthompson.com

### FINISH THOMPSON INC. - UNITED STATES

921 Greengarden Road | Erie, PA 16501  
800.934.9384 | ph 814.455.4478 | fx 814.455.8518  
email fti@finishthompson.com

### FINISH THOMPSON INC. - GERMANY

Otto-Hahn-Strasse 16 | Maintal, D-63477 Germany  
49 (0)6181-90878-0 | fx 49 (0)6181-90878-18  
email fti@finishthompson.com