

POWER MONITOR

Model M20

Affordable protection for any FTI pump including UC, DB and SP Series mag drives.



How it works

The M20 utilizes a unique algorithm to measure normal work load and then calculates and sets a shut-down sequence when an increase or decrease in shaft power is detected outside the determined parameters. Pump shut-down takes place before dry-running damage can occur.

Benefits

- More accurate than amp monitors and motor input power monitors.
- Pump curves express load data in shaft power, not motor input power.
- The significant losses of the motor are removed to improve accuracy and reliability.
- Protection parameters are set against the actual working load.
- The power displayed by the meter is the actual power being used by the pump.

Features:

- Provides accurate shaft power measurement
- Instantaneously shuts down pump when a change in shaft power is sensed
- Easy to install
- Autoset makes set up quick and easy
- Monitors supply power from line voltage
- Electronically locks parameters
- Digital readout of HP, % HP, kW, % kW, volts and amps
- Programmable relay configurations
- Four levels of protection (pre-alarm minimum & maximum power; alarm minimum & maximum power)
- Just three models cover all motor voltages up to 690 VAC
- Operates at 50 or 60 Hz
- Programmable analog signal proportionate to the motor's shaft power
- Carries independent testing lab approvals; CE

Uses:

- Dry running – Protects pumps with PTFE, silicon carbide or ceramic bushings if no liquid is present.
- Dead heading – Prevents operating the pump with a closed discharge valve or clogged filter.
- Excess power – Prevents failures due to foreign objects being sucked into the pump, changes in system piping, or changes in fluid characteristics such as viscosity or specific gravity.
- SP Series – Delay feature ensures pump is primed and operating.



FINISH THOMPSON INC.

SPECIFICATIONS

The complete M20 requires a transducer.

Selecting an M20 power monitor:

- Select a part number based on the operating voltage and phase for the motor
- Monitors work at either 50 or 60 Hz.

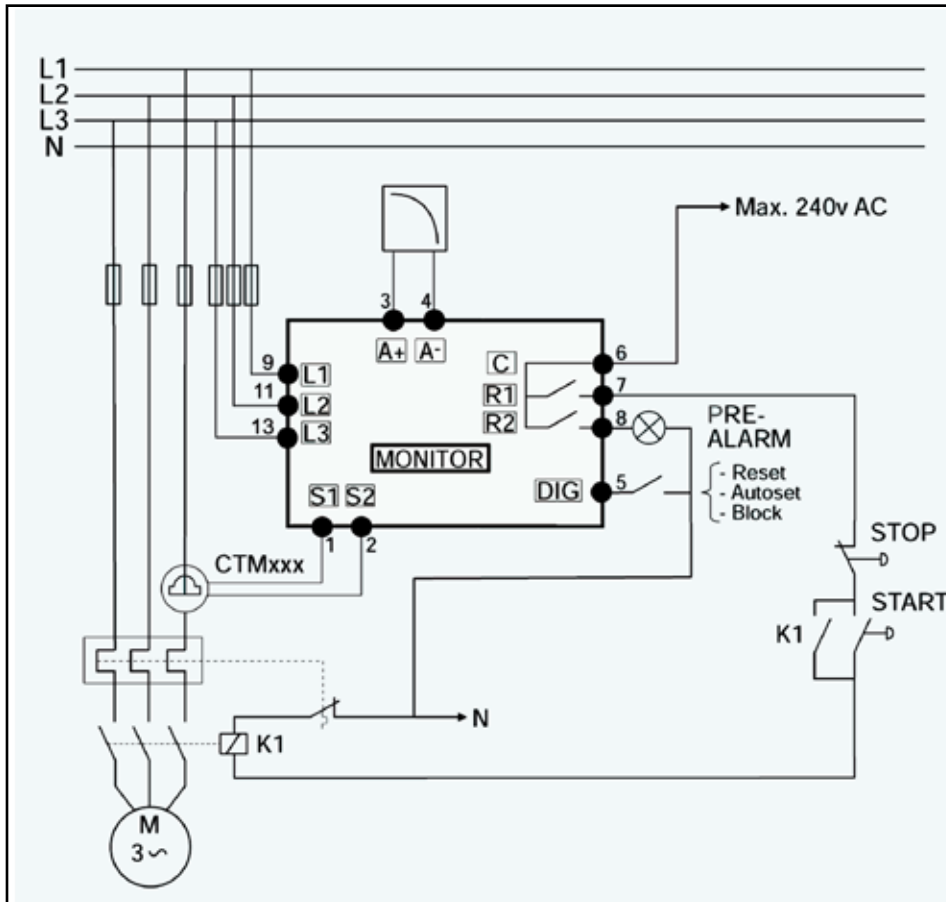
Voltage	Part Number
100-240 volt, 1 & 3 phase	J103768-1
380-500 volt, 3 phase	J103767-1
525-690 volt, 3 phase	106431

Selecting a transducer:

- Determine the full load amp draw of the motor at the installed voltage.
- Price for M20 includes transducer

Full Load Amps	Part Number
0.40 to 10.0	J103769
10.1 to 25.0	J103770
25.1 to 50	J103771

M20 WIRING DIAGRAM



Sample Installation



FINISH THOMPSON INC.

921 Greengarden Road • Erie, PA 16501-1591 U.S.A.
 Ph 814-455-4478 • Fax 814-455-8518
 Email fti@finishthompson.com • www.finishthompson.com

Sales 1-800-934-9384
 Literature ID No. FT08-1034A