

EF Series Drum Pumps



FINISH THOMPSON INC.

Sealless, Best Value

Provides an economical choice for light duty transfer. Ideal replacement for hand pumps.

- Features:** PP, pure PP/PVDF, or 316SS tubes
 Dual speed adjustable motors
 Tubes interchangeable with motors
 Lightweight & economical
 Built-in hose & cord clips (EFP/EFV only)

Applications: Light acids and bases, solvents[†], plating solutions, sodium hypochlorite, cleaners, coolants, diesel exhaust fluid (DEF)/AdBlue

[†]Patent Pending



Tube Lengths

EFP: 16" (41cm), 27" (69cm), 40" (102cm), 48" (122cm), 54" (137cm)
 EFV & EFS: 16" (41cm), 27" (69cm), 40" (102cm), 48" (122cm)

Construction Specifications

Pump Model	Construction Materials		Tube Dia. in (cm)	Discharge Size & Type	Hose Size in (cm)	Max. Temp.		Min. Temp.	
	Outer Tube	Internals				°F	°C	°F	°C
EFP	Polypropylene	316SS, FKM, PTFE, PP	1-1/4 (3.18)	1" NPT	3/4 (1.91)	150	66	0	-18
EFV	Pure Polypropylene/Pure PVDF	Alloy 625, FKM, PTFE, ETFE, PP				160	71	0	-18
EFS	316 Stainless Steel	316SS, FKM, PTFE, ETFE		3/4" Barb		212	100	0	-18

Consult FTI's Chemical Resistance Chart (<http://www.finishthompson.com/downloads/drum-pumps/technical-flyers>) before selecting pump material.

Performance Data

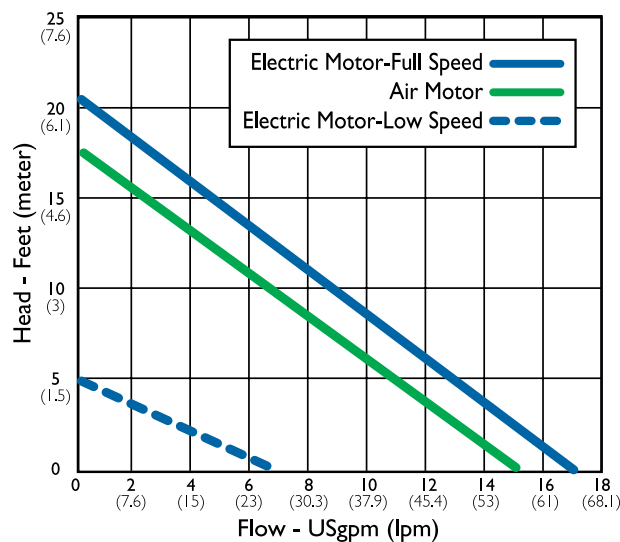
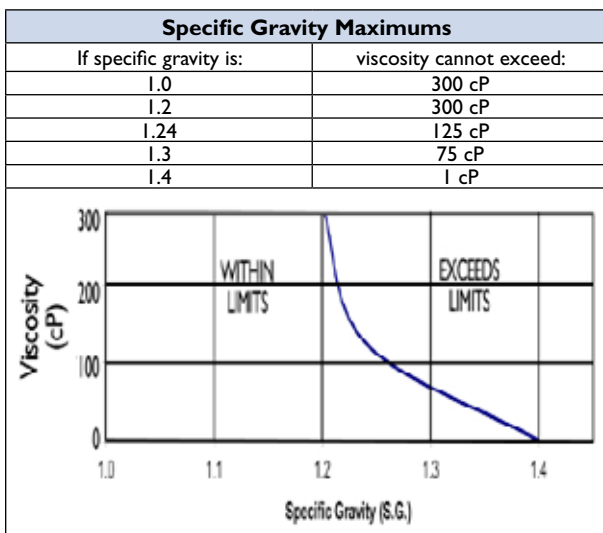
Maximum Flow ¹		Maximum Head ¹		Max. Specific Gravity	Maximum Viscosity	
Electric gpm (lpm)	Air gpm (lpm)	Electric ft (m)	Air ft (m)		Elec.	Air
17 (64.4)	15 (56.8)	20 (6.1)	17 (5.2)	1.4**	300 cP	300 cP

**Max. specific gravity is dependent on fluid viscosity. Refer to Specific Gravity Maximums table & curve below.

Viscosity Data

Viscosity (cP)	100	200	300
Max Flow gpm (lpm)	7 (26)	5 (19)	4 (14)
Max Head feet (meter)	16 (5)	16 (5)	16 (5)

Note: Viscosity data is based on electric motor at high speed.



When pumping flammables or combustibles, use air drive motors on stainless steel tubes with static protection kit.

¹All testing performed with water at 68°F (20°C). Actual performance can vary by +/- 10%. Actual performance will decrease with increased fluid viscosity and specific gravity.



ODP (S1, S2, S3)



Air (S4)

Model	Description	Type	Certification	Electrical Requirements	Power		RPM	Max. Viscosity cP
					HP	W		

ODP (Open Drip Proof), Splashproof, IP24 Motors

S1	Ergonomic, lightweight design. Continuous duty. Double insulated. 12 ft. (3.5 m) cord w/ plug, circuit breaker, & manual reset.	Universal - Two speed	CSA	115VAC/60 Hz	1/3	250	8,000/14,000	300
S2			CE	230VAC/50-60 Hz	1/3	250	8,000/14,000	300
S3			CE	115VAC/50-60 Hz	1/3	250	8,000/14,000	300

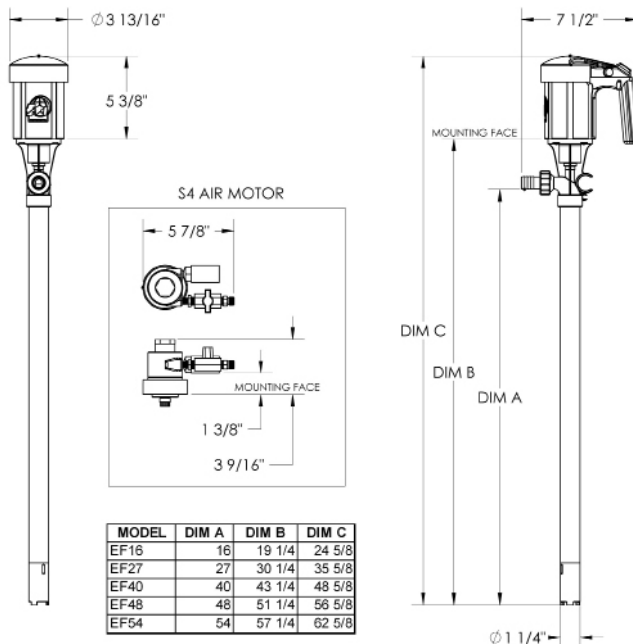
Air Motors*

S4**	Lightweight. Operates from customer-supplied compressed air source. Variable speed. Muffler and control valve.	Air	CE	40 psi @ 27 cfm	1/2	370	300-11,000	300
------	----------------------------------------------------------------------------------------------------------------	-----	----	-----------------	-----	-----	------------	-----

*An air motor is a non-electrical device which means the possibility of explosion from igniting flammables or combustibles is reduced. Air motor performance will depend upon user's compressor and system setup.

**Motor suitable for hazardous areas that do not require independent certification.

Dimensions



Accessories



Need help choosing a pump? Use the handy online Pump Selector at: www.finishthompson.com.

