

# VKC Series

VERTICAL SEALLESS PUMPS

**VERTIMAG™ Pumps**  
**VKC5.5, 6, 6H, 7, 8, 10**  
**1/3 to 1 1/2 HP**  
**(.25 to .55 kw)**



VKC5.5, 6, 6H  
7, 8 & 10

Pat. No. 5,708,313

VERTIMAG™ technology – a design breakthrough in vertical pumps!

Using rare-earth Neodymium magnets, VERTIMAG™ achieves a truly sealless, vertical pump design free of wetted shaft bearings. A completely sealed, air tight column and the absence of a secondary/back impeller prevent aeration (virtually eliminating micro-bubbles) and the release of fugitive environmental emissions.

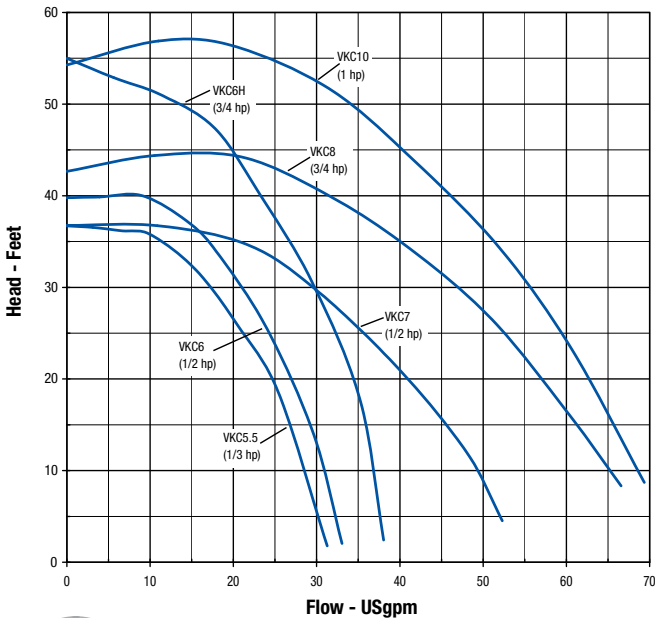
VERTIMAG™ answers conventional vertical pump applications within a wide range of operating conditions. The patented VERTIMAG™ is a durable performer with low maintenance requirements.

**Features**

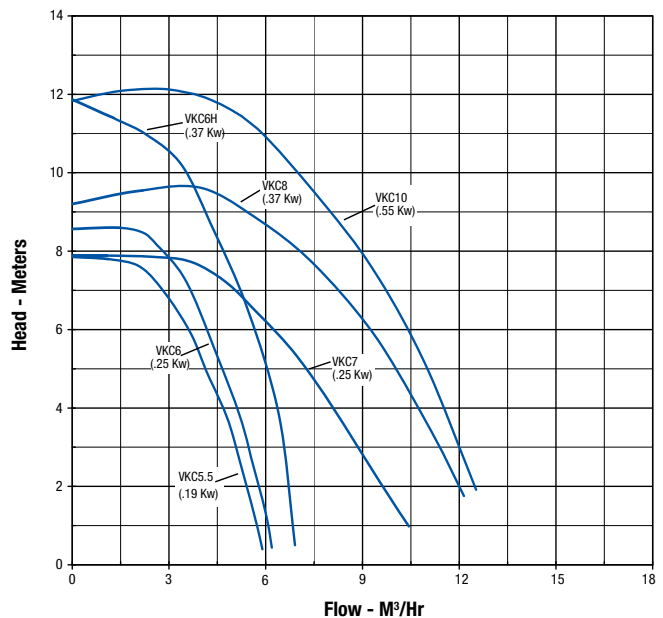
- Magnetic drive
- Non-aerating (no micro-bubbles)
- Reduced environmental emissions
- No wetted shaft bearings
- Mounts inside or outside of tank
- Polypropylene or PVDF construction
- Accepts standard NEMA or IEC motors
- Modular build: in 6" increments from 12" (30 cm) to 60" (152 cm)
- Up to 1.8 specific gravity
- Maximum temperature 140°F (60°C)
- Maximum working pressure: 60 psi

**Performance**

**60 Hz 3450 rpm**



**50 Hz 2900 rpm**



# Specifications

MODEL (CONSTRUCTION)	SUCTION DISCHARGE MNPT/BSP		MAX. S.G.* @ 30 cps	IMPELLER SIZE		MAX. FLOW		MAX. HEAD		MOTOR DRIVE	
				inch	cm	3450 rpm 60Hz gpm	2900 rpm 50Hz m <sup>3</sup> /hr	3450 rpm 60Hz ft	2900 rpm 50Hz m	3450 rpm HP	2900 rpm kW
VKC5.5 (P, V)	1	3/4	1.4	3.0	7.6	31	5.7	37	7.8	1/3	.25
VKC6 (P, V)	1	3/4	1.4	3.1	7.9	33	5.9	40	8.5	1/2	.25
VKC6H (P, V)	1	3/4	1.4	3.9	9.8	38	7	55	11.9	3/4	.37
VKC7 (P, V)	1-1/2	1	1.4	3.1	7.9	52	9.5	37	7.9	1/2	.25
VKC8 (P, V)	1-1/2	1	1.4	3.5	8.9	67	12	43	9.5	3/4	.37
VKC10 (P, V)	1-1/2	1	1.4	3.9	9.8	69	12.6	54	12	1	.56

P - Polypropylene glass filled - maximum temperature 180°F (82°C). V - PVDF carbon filled - maximum temperature 220°F (104°C)  
 \*Obtainable without trimming impeller. Contact FTI for handling higher specific gravities

## Dimensions

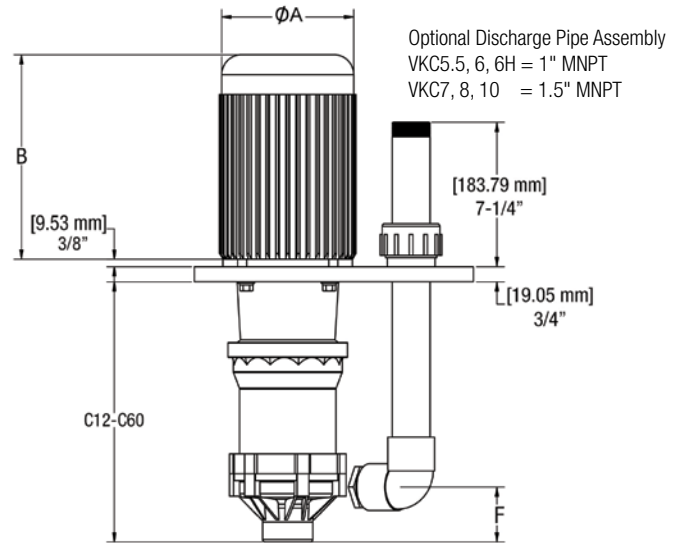
### With NEMA Motors (Inches)

MODEL	MOTOR					
	FRAME	A*	B*	D	E	F
VKC5.5 NPT	56C	6-1/2	9	2-9/16	2-15/16	2-1/16
VKC6 NPT	56C	6-1/2	9	2-9/16	2-15/16	2-1/16
VKC6H NPT	56C	6-1/2	9	2-9/16	2-15/16	2-1/16
VKC7 NPT	56C	6-1/2	9	3-1/8	2-7/8	2-3/4
VKC8 NPT	56C	6-1/2	9	3-1/8	2-7/8	2-3/4
VKC10 NPT	56C	6-1/2	9	3-1/8	2-7/8	2-3/4

### With IEC Motors (Centimeters)

MODEL	MOTOR					
	FRAME	A*	B*	D	E	F
VKC5.5 BSP	63	9	18.4	6.5	7.5	5.2
VKC6 BSP	63	9	18.4	6.5	7.5	5.2
VKC6H BSP	71	10.5	20.3	6.5	7.5	5.2
VKC6H BSP	71	10.5	20.3	6.5	7.5	5.2
VKC7 BSP	71	10.5	20.3	7.9	7.3	7
VKC8 BSP	71	10.5	20.3	7.9	7.3	7
VKC10 BSP	71	10.5	20.3	7.9	7.3	7

\*Varies with motor manufacturer.

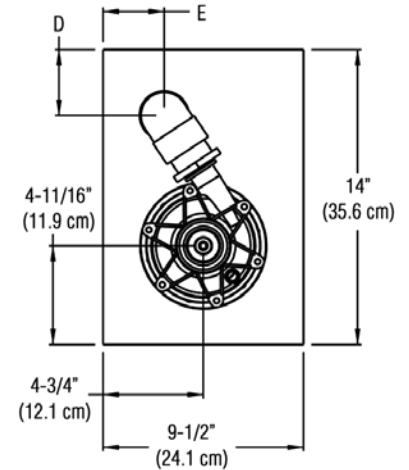


### Available Module Lengths (Inches)

MODEL	C12	C18	C24	C30	C36	C42	C48	C54	C60
KC5.5 NPT	12-5/16	18-3/8	24-7/16	30-7/16	36-1/2	42-9/16	48-5/8	54-11/16	60-3/4
VKC6 NPT	12-5/16	18-3/8	24-7/16	30-7/16	36-1/2	42-9/16	48-5/8	54-11/16	60-3/4
VKC6H NPT	12-5/16	18-3/8	24-7/16	30-7/16	36-1/2	42-9/16	48-5/8	54-11/16	60-3/4
VKC7 NPT	13-1/16	19-1/8	25-3/16	31-3/16	37-1/4	43-5/16	49-3/8	55-7/16	61-1/2
VKC8 NPT	13-1/16	19-1/8	25-3/16	31-3/16	37-1/4	43-5/16	49-3/8	55-7/16	61-1/2
VKC10 NPT	13-1/16	19-1/8	25-3/16	31-3/16	37-1/4	43-5/16	49-3/8	55-7/16	61-1/2

### Available Module Lengths (Centimeters)

MODEL	C12	C18	C24	C30	C36	C42	C48	C54	C60
VKC5.5 BSP	31.3	46.7	62.1	77.3	92.7	108.1	123.5	138.9	154.3
VKC6 BSP	31.3	46.7	62.1	77.3	92.7	108.1	123.5	138.9	154.3
VKC6H BSP	31.3	46.7	62.1	77.3	92.7	108.1	123.5	138.9	154.3
VKC7 BSP	33.2	48.6	64	79.2	94.6	110	125.4	140.8	156.2
VKC8 BSP	33.2	48.6	64	79.2	94.6	110	125.4	140.8	156.2
VKC10 BSP	33.2	48.6	64	79.2	94.6	110	125.4	140.8	156.2



BOTTOM VIEW



**FINISH THOMPSON INC.**

921 Greengarden Road • Erie, PA 16501-1591 U.S.A.  
 Ph 814-455-4478 • Fax 814-455-8518  
 Email ft@finishthompson.com • www.finishthompson.com

Toll Free USA & Canada 1-800-934-9384  
 I.D. No. - FT97-633H, 6/29/2010

