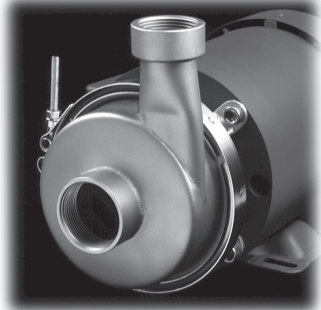


AP Series

SEALED METALLIC PUMPS

AP 4 & 5 Series Centrifugal Pumps Horizontal (AC), Vertical (AV), and Vertical Cantilevered (AK) 1/3 to 3 HP .14 to 1.33 kW



AC5



AV5

Features

- Horizontal, vertical and vertical cantilevered
- Close coupled or pedestal mounted
- Corrosion resistant 316 stainless steel
- Standard NEMA 56C frame motors or IEC 71/B14, 80/B14 & 90/B14 (horizontal only. Vertical - NEMA 56J only)
- NPT & BSP threads
- Compact design with secure V-clamp (304 stainless steel construction)
- Standard, recessed, or high head impellers
- Bellows Type 21 seals with FKM, EPDM, or Kalrez® elastomers
- FKM, EPDM, or carbon lower bushings for vertical pumps
- Maximum temperature 300°F (149°C)
- Maximum pressure: 100 psi (6.9 bar)
- ATEX certified (horizontal pumps with ATEX motors)

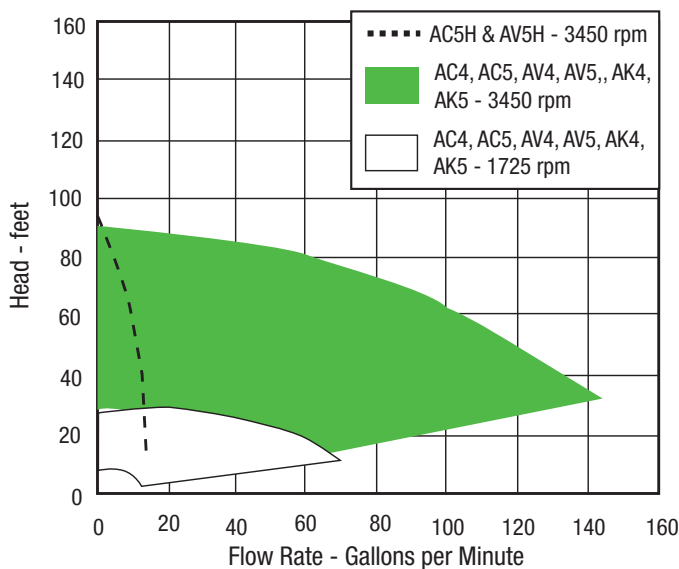
Typical Applications

- Chemical processing, plating, photo processing, cleaning, printed circuit boards, pharmaceutical, waste water treatment, and cooling towers

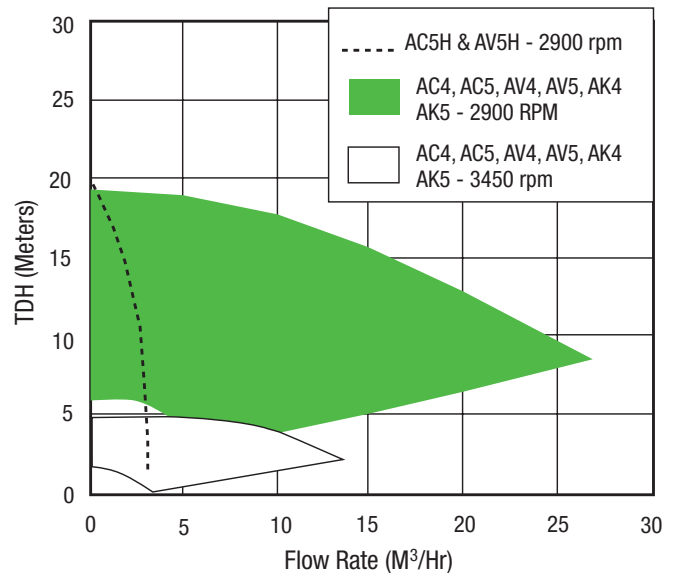
Kalrez® is a registered trademark of DuPont Performance Elastomers .

Performance

60 Hz 3450/1725 rpm



50 Hz 2900/1450 rpm



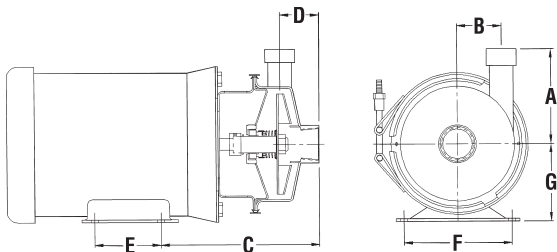
Specifications

MODEL AC - Horizontal AV - Vertical AK - Vertical Cantilevered	Suction x Discharge	IMPELLER SIZE		MAX. FLOW		MAX. HEAD		MOTOR DRIVE	
	FNPT or FBSP	inch	cm	3450 rpm gpm	2900 rpm m ³ /hr	3450 rpm ft	2900 rpm m	3450 rpm hp	2900 rpm kW
AC4/AV4/AK4	3/4 x 1/2	3 3-1/4 3-1/2	7.6 8.2 8.8	33-39	5.9-7.0	44-60	8.4-11.7	1/2-1	.18-0.37
AC5/AV5/AK5	1-1/4 x 3/4 1-1/2 X 1-1/4 2 X 1-1/2	4 4-1/4 4-1/2 4-3/4	10.1 10.8 11.4 12	70-145	12-26.3	35-89	6.1-18.5	3/4-3	0.37-1.1
AC5H/AV5H	1/2 X 1/4	4-3/4	12	17	3.1	96	19	1/2-3/4	0.18-.025
	FNPT or FBSP	inch	cm	1725 rpm gpm	1450 rpm m ³ /hr	1725 rpm ft	1450 rpm m	1725 rpm hp	1450 rpm kW
AC4/AV4/AK4	3/4 x 1/2	3 3-1/4 3-1/2	7.6 8.2 8.9	16-18.5	2.8-3.3	9.5-13.2	2-2.8	1/4	0.18
AC5/AV5/AK5	1-1/4 x 3/4 1-1/2 X 1-1/4 2 X 1-1/2	4 4-1/4 4-1/2 4-3/4	10.1 10.8 11.4 12	38-72	6.8-13.1	7-21	.6-4.4	1/4-1/2	0.18

*AK5 and AV5 only available with 1-1/2 x 1-1/4 port size.

Dimensions

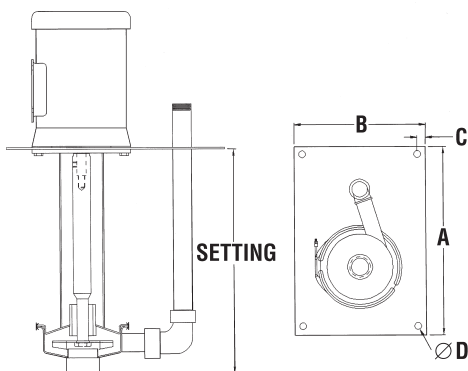
AC4 & AC5



MOTOR FRAME	SUCTION x DISCHARGE	A	B	C*	D	E	F	G
56C (in)	2 x 1-1/2	5-1/4	1-3/8	7-1/2	2	3	4-7/8	3-1/2
	1-1/2 x 1-1/4	5-1/4	1-3/8	7-3/8	1-7/8	3	4-7/8	3-1/2
	1-1/4 x 3/4	4-1/4	1-7/8	7-1/4	1-3/4	3	4-7/8	3-1/2
	3/4 x 1/2	4	1-5/8	6-3/4	1-1/2	3	4-7/8	3-1/2
	1/2 x 1/4	4	2-1/4	6-5/8	1-3/4	3	4-7/8	3-1/2
80/90 (cm)	5.08 x 3.81	13.3	3.4	20	5	10	12.5/14	8/9
	3.81 x 3.18	13.3	3.4	20	4.7	10	12.5/14	8/9
	3.18 x 1.91	10.7	4.7	19	4.4	10	12.5/14	8/9
71 (cm)	1.91 x 1.27	10.1	4.1	18	3.8	9	11.2	7.1
	1.27 x .64	10.1	5.7	17	4.4	9	11.2	7.1

*Approximate dimensions on the 80/90 and 71 frames. Confirm with factory before ordering.

AV4 & AV5, AK4 & AK5



MOTOR FRAME	SUCTION	DISCHARGE	SETTING	A	B	C	D
56J (in)	1-1/2	1-1/4	12/24/36	15	10	3/4	7/16
	3/4	1/2	12/24/36	15	10	3/4	7/16
	1/2	1/4	12/24/36	15	10	3/4	7/16



FINISH THOMPSON INC.

921 Greengarden Road • Erie, PA 16501-1591 U.S.A.
Ph 814-455-4478 • Fax 814-455-8518
Email fti@finishthompson.com • www.finishthompson.com

Toll Free USA & Canada 1-800-934-9384
Literature ID No. FT00-787E 3-2-11

